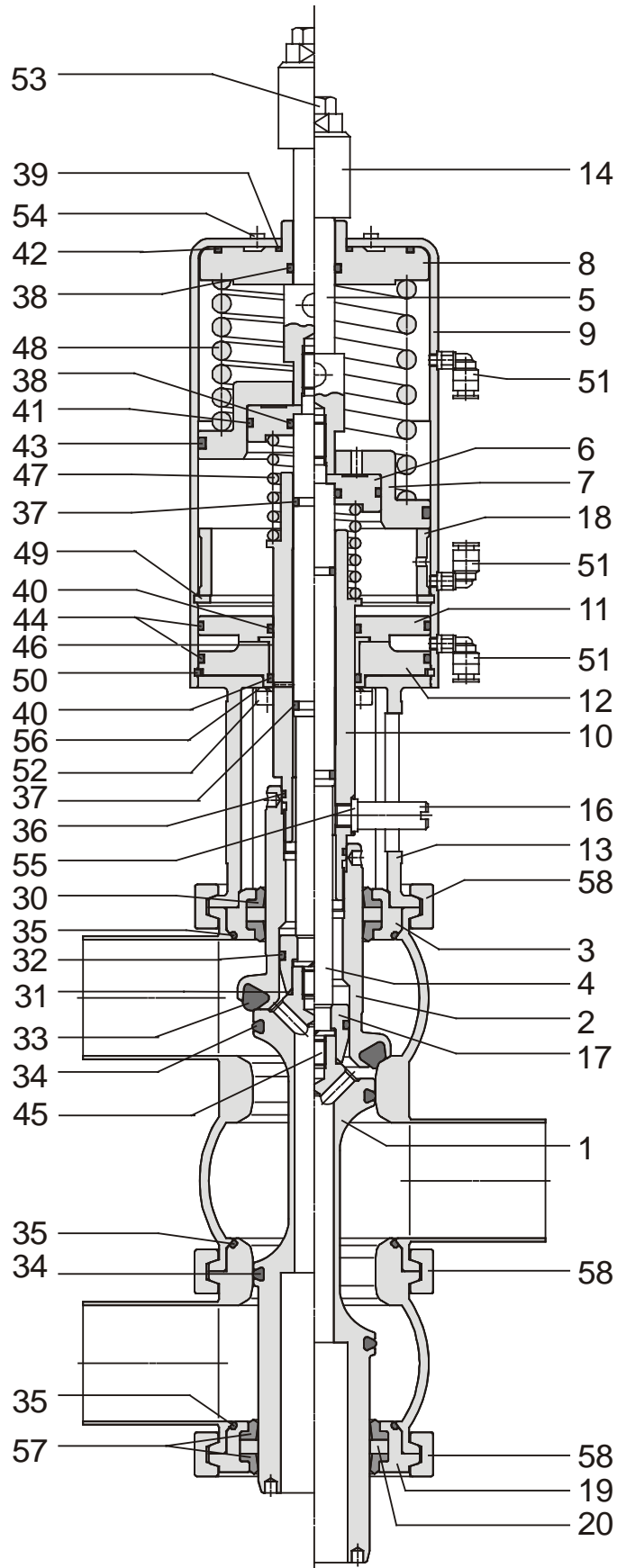


Ersatzteilliste / List of spare parts

Pneum. Doppelsitz-Umstellventil DN 40-ISO
Pneum. double seat changeover valve DN 40-ISO



Zchn.-Nr. / Drawing no. 620.60.015/06.S

Artikel-Nr. / Article no.

erst. am/von 07.08.2000 Schneele
gepr. am/von 07.08.2000

1

E
D 620U.i06

| Pos. | Stück Piece | Benennung / Denomination | Werkstoff Material | Best.-Nr. Order no. | Abmessung Dimension |
|------|----------------|---|-----------------------|------------------------|------------------------|
| 1 | 1 | Ventilteller / Valve disc * | 1.4404 | 2125092 | |
| 2 | 1 | Schließhülse / Closing sleeve * | 1.4404 | 2125244 | |
| 3 | 1 | Aufnahme / Support * | 1.4404 | 2102598 | |
| 4 | 1 | Spindelunterteil / Spindle base | 1.4301 | 2125245 | |
| 5 | 1 | Spindeloberteil / Spindle top | 1.4301 | 0970095 | |
| 6 | 1 | Taktkolben / Stroke piston | 1.4301 | 0970103 | |
| 7 | 1 | Kolben / Piston | POM | 0970111 | |
| 8 | 1 | Zylinderdeckel / Cylinder cap | POM | 0970129 | |
| 9 | 1 | Zylinder / Cylinder | 1.4301 | 0970137 | |
| 10 | 1 | Zwischenstück / Connection | 1.4301 | 0967240 | |
| 11 | 1 | Einstellkolben / Adjustment piston | POM | 2102098 | |
| 12 | 1 | Zylinderboden / Cylinder plate | 1.4301 | 2102099 | |
| 13 | 1 | Schließkopfaufnahme Snaphead support | 1.4308 | 2102100 | |
| 14 | 1 | Kontaktknopf / Contact head | 1.4301 | 0376376 | |
| 15 | 1 | Führungsring / Guide ring * | PTFE | 0967299 | |
| 16 | 1 | Führungsstab / Guide rod | 1.4301 | 0921643 | |
| 17 | 1 | Ventiltellerführung / Valve disc guide | PEEK | 0970152 | |
| 18 | 1 | Stützring / Thrust ring | POM | 0970160 | |
| 19 | 1 | Gehäusedeckel / Housing cover * | 1.4404 | 2102601 | |
| 20 | 1 | Führungsring / Guide ring * | PTFE | 0955583 | |

| | | |
|--|---|---------|
| Dichtungssatz produktseitig best. aus: | * | 2010196 |
| Compl. set of gaskets product side consist. of: | * | |
| Dichtungssatz antriebsseitig best. aus: | # | 2004484 |
| Compl. set of gaskets actuator side consist. of: | # | |

Bestellbeispiel / Order example:

1 Profildichtung Pos. 30, Best.-Nr. 0962589 nach Liste E D620Usp.i06
1 Profile packing pos. 30, order no. 0962589 as per list E D620Usp.i06

* Vom Standard ($R_A \leq 1,6 \mu\text{m}$) abweichende Oberflächengüte bei Bestellung bitte angeben.
* When ordering please indicate surface finishes which do not correspond to our standard,
i.e. $R_A \leq 1,6 \mu\text{m}$

| Pos. | Stück Piece | Benennung / Denomination | Werkstoff Material | Best.-Nr. Order no. | Abmessung Dimension |
|------|----------------|--|------------------------|------------------------|---|
| 30 | 2 | Profildichtung / Profile packing * | 85EPDM168348 | 0962589 | |
| 31 | 1 | O-Ring / O-ring * | 75EPDM168348 | 0962654 | Di 18 x 2 |
| 32 | 1 | O-Ring / O-ring * | 75EPDM168348 | 0970178 | Di 24 x 3 |
| 33 | 2 | O-Ring / O-ring * | 75EPDM168348 | 0883835 | Di 42 x 10 |
| 34 | 3 | O-Ring / O-ring * | 75EPDM168348 | 0883884 | Di 42.52 x 5.33 |
| 35 | 2 | O-Ring / O-ring * | 75EPDM168348 | 0966796 | Di 67 x 3 |
| 36 | 1 | O-Ring / O-ring * | 75EPDM168348 | 0966804 | Di 24 x 2.5 |
| 37 | 1 | O-Ring / O-ring * | 75EPDM168348 | 0885038 | Di 12 x 3 |
| 38 | 2 | O-Ring / O-ring # | NBR | 0116814 | Di 18 x 3 |
| 39 | 1 | O-Ring / O-ring # | NBR | 0029975 | Di 28 x 2.5 |
| 40 | 2 | O-Ring / O-ring # | NBR | 0891846 | Di 35 x 3 |
| 41 | 1 | O-Ring / O-ring # | NBR | 2102101 | Di 52 x 3 |
| 42 | 1 | O-Ring / O-ring # | NBR | 0116046 | Di 80 x 3 |
| 43 | 1 | O-Ring / O-ring # | NBR | 0030098 | Di 92 x 4 |
| 44 | 2 | O-Ring / O-ring # | NBR | 0041921 | Di 94 x 3 |
| 45 | 1 | Federring / Lock washer | A 2 | 0418350 | DIN 127 – B 10 |
| 46 | 1 | Gleitlager / Slide bearing # | IGLIDUR | 0944264 | GFM 3539-16 |
| 47 | 1 | Druckfeder / Compression spring | 1.4310 | 0528174 | D _A 40; D 4,5; L ₀ 76 |
| 48 | 1 | Druckfeder / Compression spring | 1.4310 | 0541029 | D _A 88; D 8; L ₀ 218 |
| 49 | 1 | Sicherungsring / Guard ring | vernickelt / nickerled | 0716167 | DIN 472 – 100 x 3 |
| 50 | 1 | Anschlagring / Stop ring | 1.4310 | 0948745 | |
| 51 | 3 | Winkelverschraubungsanschluß Angular screw-in-union | | 2116512 | M 5 |
| 52 | 4 | Zylinderschraube / Socket head screw | A 2-70 | 2102476 | DIN 912 – M 6 x 14 |
| 53 | 1 | Sechskantschraube Hexagonal screw | A 2-70 | 0205021 | DIN 933 – M 10 x 40 |
| 54 | 5 | Kunststoffstopfen / Plastic plug | | 0074195 | GPN 500 |
| 55 | 1 | Dichtung / Sealing | PVDF | 0962324 | |
| 56 | 4 | Federring / Lock washer | A 2 | 0949750 | DIN 127 – B 6 |
| 57 | 2 | Profildichtung / Profile packing * | 85EPDM168348 | 0962555 | |
| 58 | 3 | Gelenkklemme / Joint clamp | 1.4301 | 0034587 | 3" |