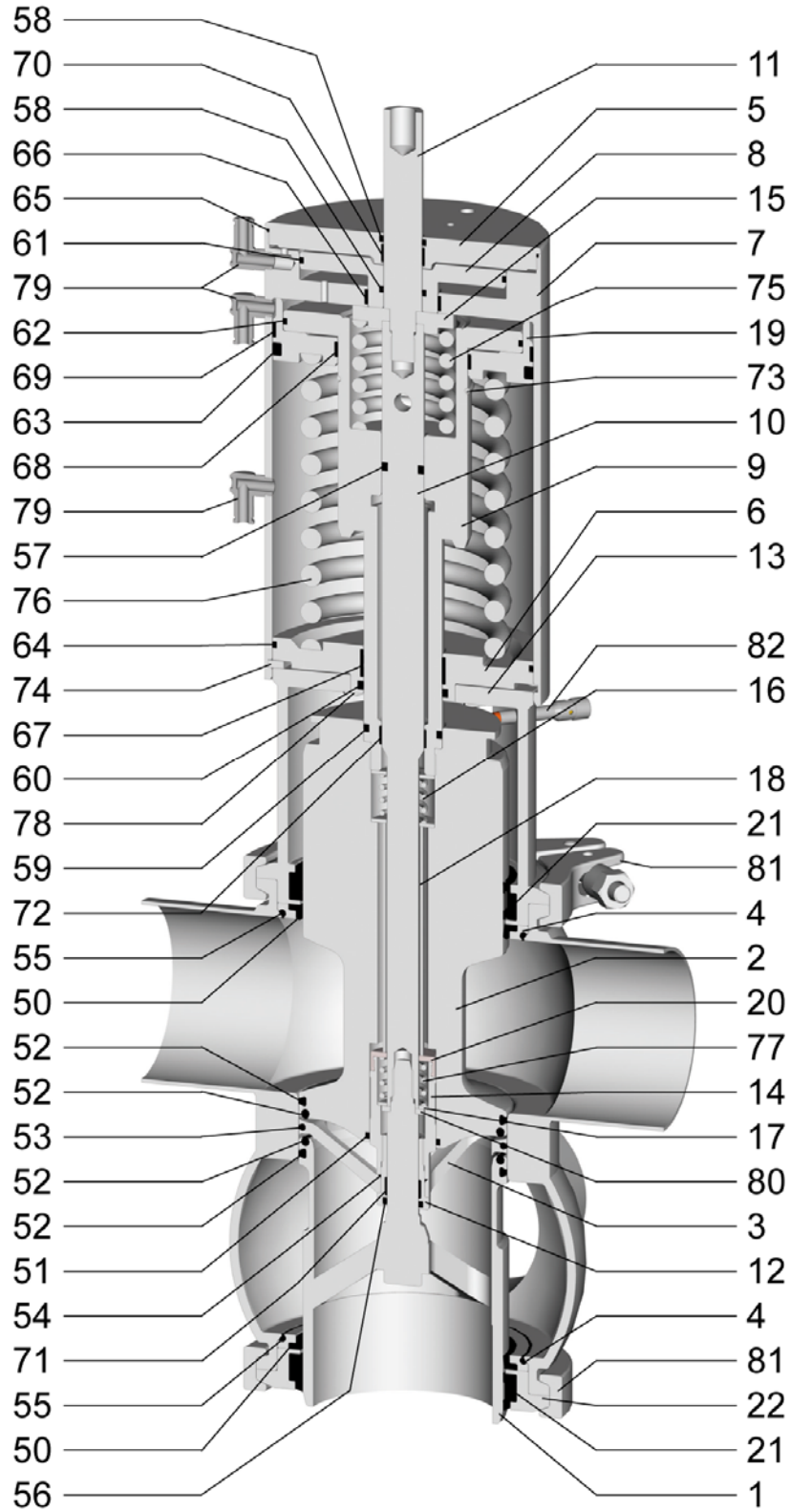


**List of spare parts**

Double seat valve

Type D 365it

DN 2" – 4"



Änderung	Datum	Name	Änderung	Datum	Name	Änderung	Datum	Name	Änderung	Datum	Name

## List of spare parts

Double seat valve

Type D 365it

DN 2" – 4"

Pos.	Piece	Denomination	Material		Order no.	Order no.	Order no.	Order no.
1	1	Valve disc <sup>1)</sup>	1.4404	DN 2"	2155623	2155501	2155501	2155391
2	1	Closing sleeve <sup>1)</sup>	1.4404		2155624	2155576	2155502	2155383
3	1	Deflector <sup>1)</sup>	1.4404		2155615	2155503	2155503	2155118
4	2	Housing cover base <sup>1)</sup>	1.4404		2141245	2141267	2141267	2152307
5	1	Cylinder cover	1.4301		2155504	2155504	2155504	2155130
6	1	Cylinder plate	1.4301		2156253	2152004	2152004	2131671
7	1	Cylinder	1.4301		2155505	2155505	2155505	2155125
8	1	Stroke piston	1.4301		2155506	2155506	2155506	2155128
9	1	Stroke piston	1.4301		2155577	2155577	2155507	2155124
10	1	Spindle base	1.4301		2156251	2155578	2155508	2155432
11	1	Spindle top	1.4301		2155129	2155129	2155129	2155129
12	1	Screw	1.4404		2155401	2155401	2155401	2155401
13	1	Snaphead support	1.4301		2156252	2155509	2155509	2155123
14	1	Bolt	PEEK		2155724	2155381	2155381	2155381
15	1	Disc	1.4301		2155510	2155510	2155510	2155127
16	1	Spring packet			2156595	2156595	2156595	2156595
17	1	Disc	1.4301		2155382	2155382	2155382	2155382
18	1	Tube	1.4404		2155612	2155579	2155511	2155385
19	1	Piston	1.4301		2155512	2155512	2155512	2155126
20	1	Spring cover	1.4301		2155384	2155384	2155384	2155384
21	2	Guide ring *	PTFE		2131873	2131874	2131874	2131668
22	1	Housing cover top	1.4301		2131867	2152038	2152038	2152306

1	Compl. set of gaskets product side consist. of: *	EPDM	DN 2"	2343776	DN 2 1/2"	2343778	DN 3"	2343778	DN 4"	2155141
		HNBR		2343966		2343967		2343967		2343969
1	Compl. set of gaskets actuator side consist. of: #			2343782		2343782		2343782		2155142

### Order example

1 Profile packing pos. 50, order no. 0962571 as per list E D 365it.37

<sup>1)</sup> When ordering please indicate surface finishes which do not correspond to our standard, i.e.  $R_A \leq 0,8 \mu\text{m}$ .

Änderung	Datum	Name	Änderung	Datum	Name	Änderung	Datum	Name	Änderung	Datum	Name

**List of spare parts**

Double seat valve

Type D 365it

DN 2" – 4"

Pos.	Piece	Denomination	Material	Order no.	Order no.	Order no.	Order no.
50	2	Profile packing *	EPDM	0962597	0962571	0952571	0963777
			HNBR	2130745	2130746	2130746	2130747
51	1	O-ring *	EPDM	0884064	0884064	0884064	0884064
			HNBR	2128297	2128297	2128297	2128297
52	4	O-ring *	EPDM	0988626	2151946	2151946	2151944
			HNBR	2130790	2151945	2151945	2151943
53	1	O-ring *	EPDM	2155547	2159390	2159390	2155444
			HNBR	2143441	2143442	2143342	2143443
54	1	O-ring *	EPDM	2155140	2155140	2155140	2155140
			HNBR	2143445	2143445	2143445	2143445
55	2	O-ring *	EPDM	0770669	0953620	0953620	2152308
			HNBR	2130788	2130754	2130754	2127313
56	1	O-ring *	EPDM	2109403	2109403	2109403	2109403
			HNBR	2143444	2143444	2143444	2143444
57	1	O-ring #	NBR	0116855	0116855	0116855	0116855
58	2	O-ring #	NBR	0116723	0116723	0116723	0116723
59	1	O-ring #	EPDM	2102123	2102123	2102123	2102123
60	1	O-ring #	NBR	0116400	0116400	0116400	0116400
61	1	O-ring #	NBR	0115980	0115980	0115980	0721217
62	1	O-ring #	NBR	0051821	0051821	0051821	2143101
63	1	O-ring #	NBR	0070623	0070623	0070623	0461111
64	1	O-ring #	NBR	0037077	0037077	0037077	0033472
65	1	O-ring #	EPDM NBR *)	0182733	0182733	0182733	0050757 *)
66	1	Piston guide strip #	PTFE	2141717	2141717	2141717	2141717
67	1	Piston guide strip #	PTFE	2152015	2152015	2152015	2152015
68	1	Piston guide strip #	PTFE	2155539	2155539	2155539	0607374
69	1	Piston guide strip #	PTFE	2152614	2152614	2152614	2113348
70	1	Slide bearing #	Iglidur	2131740	2131740	2131740	2131740
71	1	Slide bearing #	PEEK	2155121	2155121	2155121	2155121
72	1	Slide bearing #	PEEK	2155541	2155541	2155541	2155541
73	1	Snap ring	nickeled	2155538	2155538	2155538	2143102
74	1	Guard ring	nickeled	0716175	0716175	0716175	0716225
75	1	Compression spring	CrSi	2132170	2132170	2132170	2122511

Änderung	Datum	Name	Änderung	Datum	Name	Änderung	Datum	Name	Änderung	Datum	Name

**List of spare parts**

Double seat valve

Type D 365it

DN 2" – 4"

Pos.	Piece	Denomination	Material		Order no.		Order no.		Order no.		Order no.
76	1	Compression spring	CrSi	DN 2"	2132168	DN 2 1/2"	2132168	DN 3"	2132168	DN 4"	0318857
77	1	Compression spring	CrSi		2117235		2117235		2117235		2117235
78	6	Hexagonal screw	A 2-70		0203612		0204222		0204222		0204222
79	3	Angular screw-in-union			2116513		2116513		2116513		2116513
80	1	Lock washer	A 2		0952721		0952721		0952721		0952721
81	2	Clamp	1.4301		0034595		2125807		2125807		2130636
82	1	Feedback			2342700		2342700		2342700		2342700

Änderung	Datum	Name	Änderung	Datum	Name	Änderung	Datum	Name	Änderung	Datum	Name