

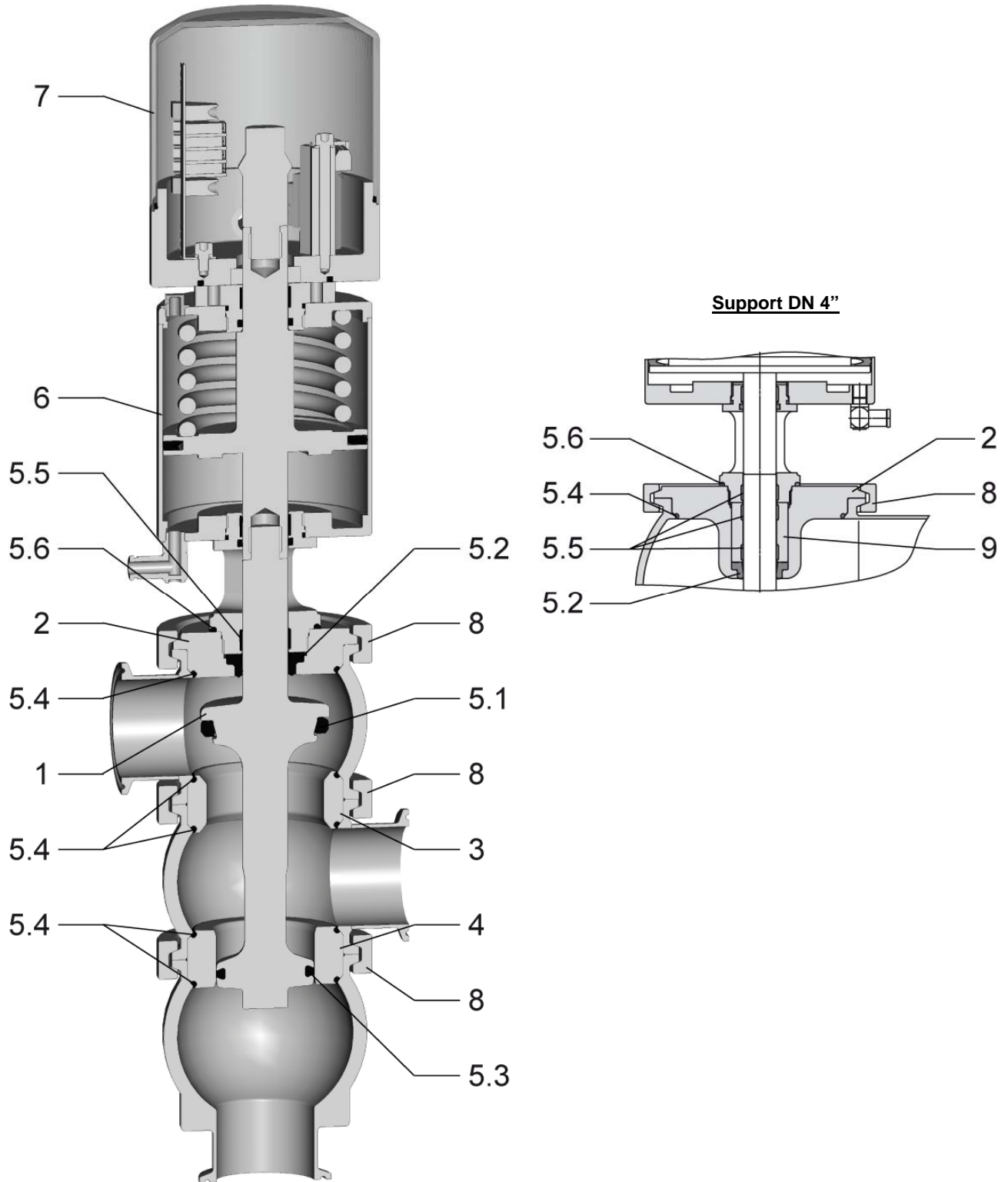
Änderung	Datum	Name	Änderung	Datum	Name	Änderung	Datum	Name	Änderung	Datum	Name

List of spare parts
Flow diversion valve
Profile gasket – PEEK-gasket
DN 1" – 4"

Pos.	Pcs.	Denomination	Material		Order no.		Order no.
1	2	SVP change-over valve		DN 1"	see page 3	DN 1 1/2"	see page 3
2	1	Sealing	EPDM		0286625		0286633
			FPM				
			HNBR				
3	1	Clamp	1.4301		2020407		2020407
	1	Compl. set of gaskets product side consist. of:					
	2	Compl. set of gaskets SVP-change-over valve	EPDM				2158721
			FPM				
			HNBR		2160831		
	1	Compl. set of gaskets actuator side consist. of:					
	2	Compl. set of gaskets actuator			2132039		2132039
1	2	SVP change-over valve			DN 2"		see page 3
2	1	Sealing	EPDM	0286641		0286658	
			FPM				
			HNBR				
3	1	Clamp	1.4301	2117193		2117194	
	1	Compl. set of gaskets product side consist. of:					
	2	Compl. set of gaskets SVP-change-over valve	EPDM	2156159		2158923	
			FPM				
			HNBR			2159227	
	1	Compl. set of gaskets actuator side consist. of:					
	2	Compl. set of gaskets actuator		2132039		2132039	
1	2	SVP change-over valve		DN 3"		see page 3	DN 4"
2	1	Sealing	EPDM		0286666	0286674	
			FPM				
			HNBR				
3	1	Clamp	1.4301		2117195	2119197	
	1	Compl. set of gaskets product side consist. of:					
	2	Compl. set of gaskets SVP-change-over valve	EPDM		2155951	2156864	
			FPM				
			HNBR				
	1	Compl. set of gaskets actuator side consist. of:					
	2	Compl. set of gaskets actuator			2132039	2132039	

Änderung	Datum	Name	Änderung	Datum	Name	Änderung	Datum	Name	Änderung	Datum	Name

List of spare parts
Flow diversion valve
Profile gasket – PEEK-gasket
DN 1" – 4"



Änderung	Datum	Name	Änderung	Datum	Name	Änderung	Datum	Name	Änderung	Datum	Name

List of spare parts
Flow diversion valve
Profile gasket – PEEK-gasket
DN 1" – 4"

Pos.	Pcs.	Denomination	Material		Order no.		Order no.
1	1	Valve disc	1.4404	DN 1"	2160833	DN 1 1/2"	2158710
2	1	Support	1.4404		2160832		2131965
3	1	Double seat insert	1.4404		2154047		2154047
4	1	Double seat insert	1.4404		2154046		2154046
5	2	Compl. set of gaskets consist. of: *	EPDM				2158721
			FPM				
			HNBR		2160831		
5.1	1	Valve dic gasket *	PEEK		2154049		2154049
5.2	1	Profile gasket *	EPDM				2103016
			FPM				
			HNBR		2130749		
5.3	1	O-ring *	EPDM				0758243
			FPM				
			HNBR		2130764		
5.4	5	O-ring *	EPDM				0939355
			FPM				
			HNBR	2130829			
5.5	1	Slide bearing *	PEEK	2131741	2131741		
5.6	1	O-ring *	EPDM	0962118	0962118		
6	2	Pneum. actuator					
		Air opened – spring closed		2131736	2131736		
7	2	Microswitch Control Top		2155162	2155162		
8	6	Clamp	1.4301	0034447	0034447		

Änderung	Datum	Name	Änderung	Datum	Name	Änderung	Datum	Name	Änderung	Datum	Name

List of spare parts
Flow diversion valve
Profile gasket – PEEK-gasket
DN 1" – 4"

Pos.	Pcs.	Denomination	Material		Order no.		Order no.
1	1	Valve disc	1.4404	DN 2"	2156160	DN 2 1/2"	2158922
2	1	Support	1.4404		2131744		2131964
3	1	Double seat insert	1.4404		2153673		2153677
4	1	Double seat insert	1.4404		2153674		2153678
5	1	Compl. set of gaskets consist. of: *	EPDM		2156159		2158923
			FPM				
			HNBR				2159227
5.1	1	Valve dic gasket *	PEEK		2153675		2153679
5.2	1	Profile gasket *	EPDM		2103016		2103016
			FPM				
			HNBR				2130749
5.3	1	O-ring *	EPDM		0030148		0886713
			FPM				
			HNBR				
5.4	5	O-ring *	EPDM		0966796		0690719
			FPM				
			HNBR	2130839			
5.5	1	Slide bearing *	PEEK	2131741	2131741		
5.6	1	O-ring *	EPDM	0962118	0962118		
6	1	Pneum. actuator					
		Air opened – spring closed		2131736	2131737		
7	1	Microswitch Control Top		2156162	2156162		
8	3	Clamp	1.4301	0034587	0036590		

Änderung	Datum	Name	Änderung	Datum	Name	Änderung	Datum	Name	Änderung	Datum	Name

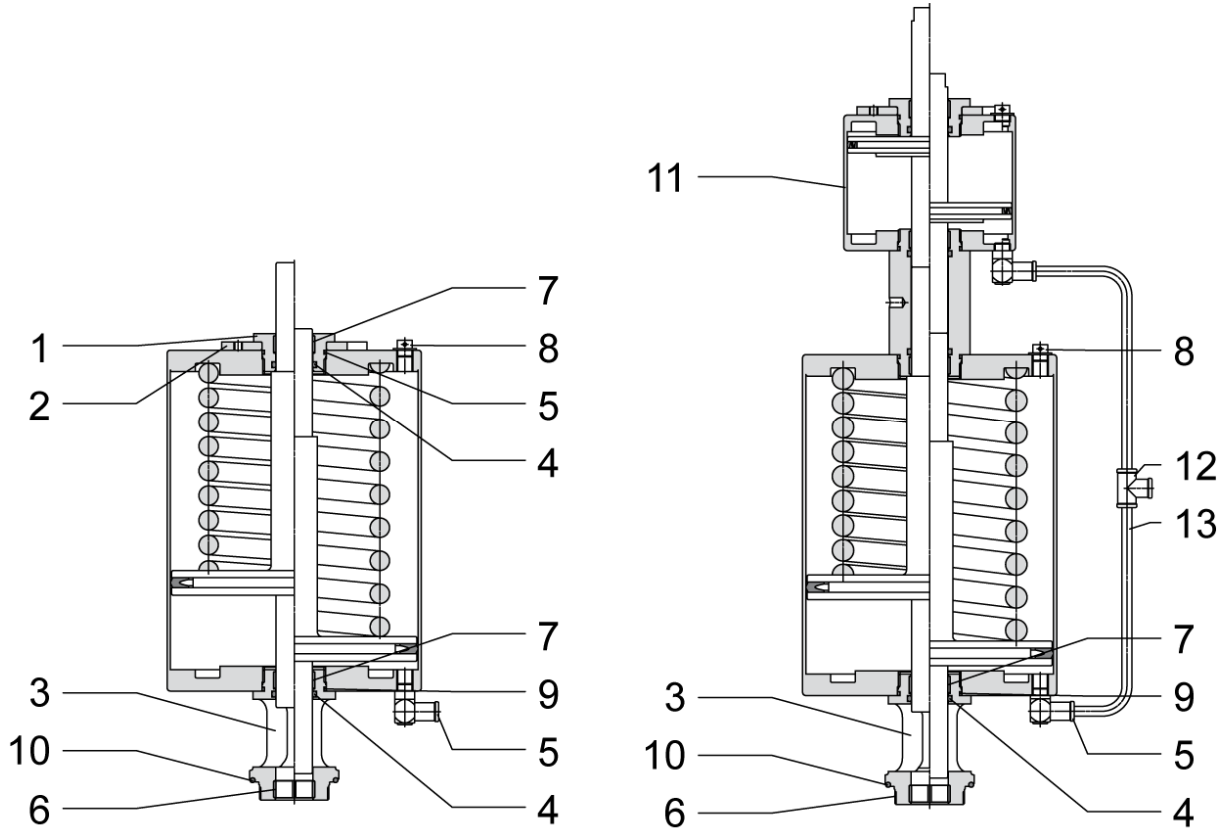
List of spare parts
Flow diversion valve
Profile gasket – PEEK-gasket
DN 1" – 4"

Pos.	Pcs.	Denomination	Material		Order no.		Order no.
1	1	Valve disc	1.4404	DN 3"	2155950	DN 4"	2156869
2	1	Support	1.4404		2131745		2156868
3	1	Double seat insert	1.4404		2129298		2123162
4	1	Double seat insert	1.4404		2130514		2343446
5	1	Compl. set of gaskets consist. of: *	EPDM		2155951		2156864
			FPM				
			HNBR				
5.1	1	Valve dic gasket *	PEEK		2152576		2154217
5.2	1	Profile gasket *	EPDM		2103016		2103016
			FPM				
			HNBR				
5.3	1	O-ring *	EPDM		0988626		2912867
			FPM				
			HNBR				
5.4	5	O-ring *	EPDM		0770669		0953620
			FPM				
			HNBR				
5.5	1 3 DN 4"	Slide bearing *	PEEK	2131741	2131741		
5.6	1	O-ring *	EPDM	0962118	0962118		
6	1	Pneum. actuator					
		Air opened – spring closed		2131738	2154330		
7	1	Microswitch Control Top		2156162	2156162		
8	3	Clamp	1.4301	0034595	2125807		
9	1	Insert	1.4404	-----	2156867		

Änderung	Datum	Name	Änderung	Datum	Name	Änderung	Datum	Name	Änderung	Datum	Name

Pneum. actuator

Function air opened – spring closed



Pos.	Pcs.	Denomination	Material	Order no.	Order no.
	1	Pneum. actuator		2131736	2131737
1	1	Fixing screw	1.4305	2131739	2131739
2	1	Adapter disc	1.4301	2128219	2128219
3	1	Snaphead support	1.4301	2131734	2131734
4	1	O-ring *	NBR	0116723	0116723
5	1	O-ring *	NBR	2128764	2128764
6	1	Slide bearing	PEEK	2131741	213741
7	1	Slide bearing *	Iglidur	2131740	2131740
8	1	Angular screw-in-union		2116513	2116513
9	1	Threaded plug		2128550	2128550
10	1	O-ring *	EPDM	0962118	0962118
	1	Compl. set of gaskets consist. of: *		2132039	2132039

Änderung	Datum	Name	Änderung	Datum	Name	Änderung	Datum	Name	Änderung	Datum	Name

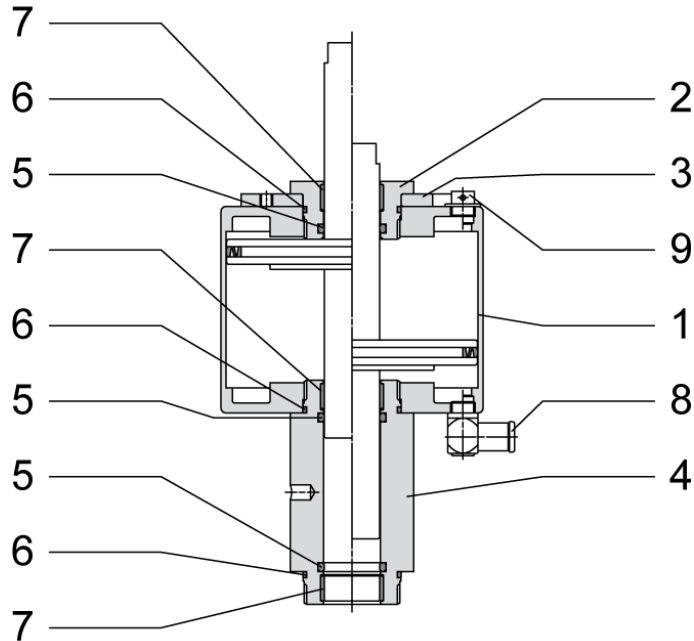
List of spare parts
Flow diversion valve
Profile gasket – PEEK-gasket
DN 1" – 4"

Pos.	Pcs.	Denomination	Material		Order no.		Order no.
		Pneum. actuator		DN 80 / DN 3"	2131738	DN 100 / DN 4"	2154330
1	1	Fixing screw	1.4305		2131739		-----
2	1	Adapter disc	1.4301		2128219		-----
3	1	Snaphead support	1.4301		2131735		2131735
4	1	O-ring *	NBR		0116723		0116723
5	1	O-ring *	NBR		2128764		2128764
6	1	Slide bearing	PEEK		2131741		2131741
7	1	Slide bearing *	Iglidur		2131740		2131740
8	1	Angular screw-in-union			2116513		2116513
9	1	Threaded plug			2128550		2128550
10	1	O-ring *	EPDM		0962118		0962118
11	1	Booster			-----		2154327
12	1	Tube			-----		0490235
13	1	T-piece		-----	2108589		
	1	Compl. set of gaskets consist. of: *		2132039	2154330		

Änderung	Datum	Name	Änderung	Datum	Name	Änderung	Datum	Name	Änderung	Datum	Name

List of spare parts
Flow diversion valve
Profile gasket – PEEK-gasket
DN 1" – 4"

Booster

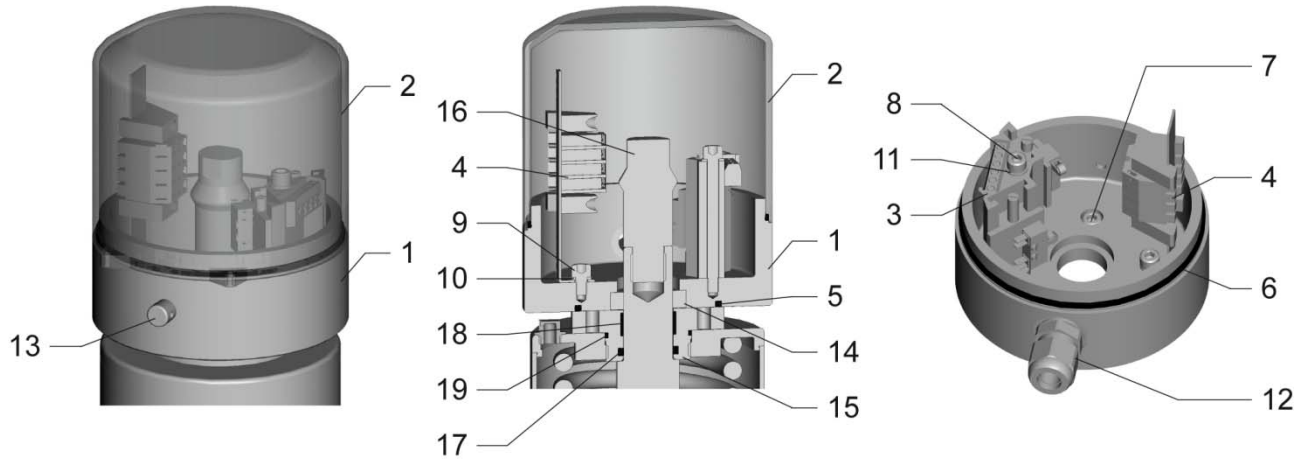


Pos.	Pieces	Denomination	Material	Order no.
	1	Booster		2154327
1	1	Cylinder		2128572
2	1	Fixing screw	1.4301	2131739
3	1	Adapter disc	1.4301	2128219
4	1	Adapter	1.4301	2154326
5	3	O-ring	* NBR	0116723
6	3	O-ring	* NBR	2128764
7	3	Slide bearing	* Iglidur	2131740
8	1	Angular screw-in-union		2116513
9	1	Threaded plug	PP	2128550
	1	Compl. set of gaskets consist. of:	*	

DN 100 / DN 4"

Änderung	Datum	Name	Änderung	Datum	Name	Änderung	Datum	Name	Änderung	Datum	Name

Microswitch Control Top



Pos.	Pieces	Denomination	Material	Order no.
	1	Microswitch Control Top		2156162
1	1	Cover base	Tecaform	2113719
2	1	Cover top	Ultraform	2107925
3	1	Feedback unit complete with upper and smaller radius lower microswitch		2131446
4	1	Terminal		2107923
5	1	O-ring	NBR	0921957
6	1	O-ring	EPDM	2100558
7	2	Socket head screw	A 2-70	0075960
8	1	Socket head screw	A 2-70	2105074
9	1	Socket head screw	A 2-70	2107927
10	1	Lock washer	A 2	0073882
11	1	Dsic	A 2	0165027
12	1	Cable gland		2112310
13	1	Bolt	1.4301	2100617
14	1	Centering disc	1.4301	2107969
15	1	Fixing screw	1.4301	2156163
16	1	Contact head	1.4301	2156164
17	1	O-ring	NBR	0116723
18	1	Slide bearing	Iglidur	2131740
19	1	O-ring	NBR	2128764

Änderung	Datum	Name	Änderung	Datum	Name	Änderung	Datum	Name	Änderung	Datum	Name