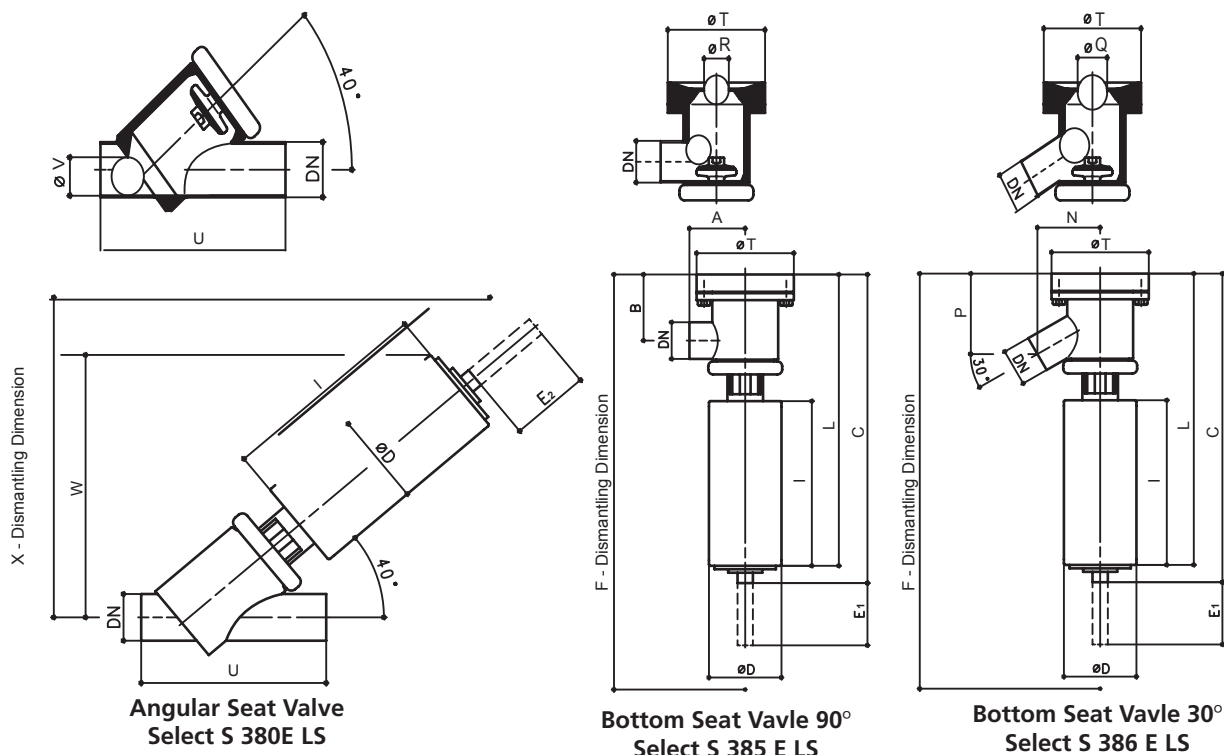


# Technical Specifications

## SVP Select 380 Series Long Stroke Valves



inches	OD-Tube	A	B	C	ØD	E <sub>1</sub>	E <sub>2</sub>	F	I	L	N	P	ØQ	ØR	ØT	U	ØV	W	X	lbs
	1.0"	2 3/4	3 3/16	15 11/16	4 1/8	2 1/2	2 1/2	20 1/16	8 3/8	14 5/8	2 3/4	3 13/16	13/16	1/2	5 1/8	6 5/16	5/8	10 3/4	16 13/16	19.0
1.5"	2 3/4	3 5/8	17 3/4	4 1/8	3 1/16	3 1/16	23 1/4	9 3/8	16 5/16	3 1/8	4 7/16	1 1/16	13/16	5 1/16	7 5/16	1	11 11/16	19 7/16	19.0	
2.0"	3 1/8	3 13/16	17 11/16	4 1/8	3 9/16	3 9/16	23 5/8	9 3/8	16 3/4	3 9/16	4 5/8	1 9/16	1 1/4	5 1/2	8 1/4	1 3/8	11 7/8	19 5/8	21.6	
2.5"	3 9/16	4 1/2	24 5/8	6 1/16	4 1/2	4 1/2	31 1/2	14 5/16	22 11/16	3 15/16	5 5/16	2 3/16	1 11/16	6 11/16	9 13/16	1 3/4	16 1/2	26 7/16	51.6	
3.0"	3 15/16	5 3/8	24 3/4	6 1/16	5 1/2	5 1/2	32 11/16	14 5/16	23 3/4	4 5/16	6 3/16	2 9/16	2 1/16	7 1/16	11 13/16	2 1/8	17 1/8	26 11/16	59.3	
4.0"	4 3/4	6 3/8	27 11/16	8 1/16	6 7/8	6 7/8	37	15 3/4	26 11/16	5 1/2	7 7/16	3 5/8	3 1/16	8 1/4	13	2 13/16	19 1/2	29 9/16	75.4	

Note: Values in fractional inches have been rounded to the nearest 1/16 inch

millimeters	OD-Tube	A	B	C	ØD	E <sub>1</sub>	E <sub>2</sub>	F	I	L	N	P	ØQ	ØR	ØT	U	ØV	W	X	kg
	1.0"	70	81	398	104	64	64	510	212	371	70	97	20	13	129.5	160	15.3	273	427	8.6
1.5"	70	92	451	104	78.5	78.5	590	238	414	80	113	27	20.5	128.5	185	25.5	297	494	8.6	
2.0"	80	97	450	104	90	90	600	238	425	90	118	39.5	31	139.5	210	35.1	302	498	9.8	
2.5"	90	115	626	154	115	115	800	364	576	100	135	56	43.5	169.5	250	44.4	419	672	23.4	
3.0"	100	137	629	154	140	140	830	364	604	110	157.5	65	53	179.5	300	54.3	435	678	26.9	
4.0"	120	162	703	204	175	175	940	400	678	140	189.5	92	77.5	209.5	330	71.3	495	751	34.2	

Südmo North America, Inc.  
 1330 Anvil Drive, Rockford, IL 61115 USA  
 T 815.639.0322 • F 815.639.1135  
 E info@sudmona.com • I www.sudmona.com

Südmo North America Inc. reserves the right to make changes in the technical specifications at any time.

2321-0901

## Long Stroke Valves

