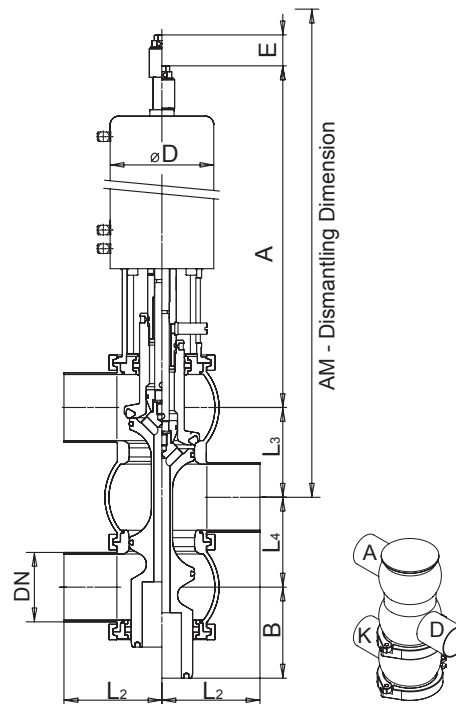


# Valve Dimensions



**D 621 U**

inches	OD-Tube	A	B	Ø D	E	L <sub>2</sub>	L <sub>3</sub>	L <sub>4</sub>	AM	lbs
	1.0"	14	3/8	2 3/16	3 7/16	1/2	3 1/8	1 9/16	2 1/16	24 3/16
1.5"	14	3/4	2 7/8	3 7/16	15/16	3 1/8	2 7/16	2 9/16	28 1/8	35.3
2.0"	15	3/8	3 3/8	4 3/16	1 3/16	3 15/16	3 1/8	3 1/8	31 1/2	35.3
2.5"	18	1/2	4	5	1 1/2	3 15/16	3 3/4	3 3/4	37 3/8	50.7
3.0"	18	7/8	4 3/8	5	1 1/2	4 3/4	4 5/16	4 5/16	40 3/16	61.7
4.0"	19	1/8	5	5	1 3/4	5 7/8	4 5/16	4 5/16	43 11/16	75.0
6.0"	26	9/16	6 13/16	7 9/16	2 9/16	7 7/8	4 5/16	4 5/16	59 5/8	

**Note:** Values in fractional inches have been rounded to the nearest 1/16 inch

millimeters	OD-Tube	A	B	Ø D	E	L <sub>2</sub>	L <sub>3</sub>	L <sub>4</sub>	AM	kgs
	1.0"	365	56	88	13	80	40	52	630	14.0
1.5"	374	73	88	24	80	62	65	715	16.0	
2.0"	390	85	107	30	100	79	79	800	16.0	
2.5"	470	102	127	38	100	95	95	950	23.0	
3.0"	175	111	127	38	120	110	110	1020	28.0	
4.0"	485	127	127	45	150	129	129	1110	34.0	
6.0"	675	173	192	65	200	180	180	1515		

Südmo North America, Inc.

1330 Anvil Drive, Rockford, IL 61115 USA

T 815.639.0322 • F 815.639.1135

E info@sudmona.com • I www.sudmona.com

Südmo North America, Inc. reserves the right to make changes in the technical specifications at any time.

3131-0901

## D621 U Mix Proof Valve