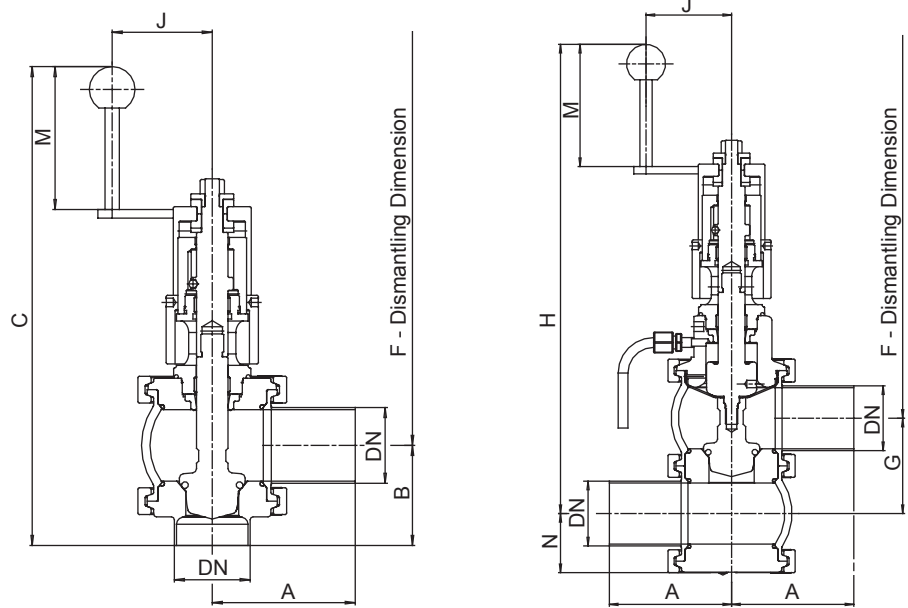


Valve Dimensions



S275 Manually Operated

inches	OD-Tube	A	B	C ₁ *	C ₂ *	Hub Stroke ₁ *	Hub Stroke ₂ *	F ₁ *	F ₂ *	G	H ₁ *	H ₂ *	J	M	N
	1.0"	3 1/8	1 15/16	12 5/8	14 1/8	1 3/16	1/2	13 9/16	12	2	12 5/8	14 1/8	2 3/4	3 15/16	1 5/16
1.5"	3 1/8	2 3/16	13 1/16	14 1/2	1 3/16	1/2	14	15 9/16	2 1/2	13 3/8	14 13/16	2 3/4	3 15/16	1 9/16	
2.0"	3 15/16	2 9/16	13 3/4	15 3/16	1 3/16	5/8	14 7/16	15 7/8	3	14 1/8	15 9/16	2 3/4	3 15/16	1 13/16	
2.5"	3 15/16	2 3/4	15 3/16	16 5/8	1 3/16	1 3/16	16 1/4	17 1/16	3 1/2	15 7/8	17 3/8	3 15/16	3 15/16	2 1/16	
3.0"	4 3/4	3 1/8	16 1/4	17 7/8	1 3/16	1 5/16	17 1/2	19 1/8	3 15/16	17 1/16	18 1/16	3 15/16	3 15/16	2 5/16	
4.0"	5 7/8	3 9/16	17 1/16	18 15/16	1 3/16	1 3/16	19 1/16	21 9/16	4	18 7/16	20 5/16	3 15/16	3 15/16	2 13/16	

Note: Values in fractional inches have been rounded to the nearest 1/16 inch

millimeters	OD-Tube	A	B	C ₁ *	C ₂ *	Hub Stroke ₁ *	Hub Stroke ₂ *	F ₁ *	F ₂ *	G	H ₁ *	H ₂ *	J	M	N
	1.0"	80	50	321	358	20	12	344	305	50.1	321	358	70	100	34
1.5"	80	55	332	369	20	12	355	395	62.8	340	377	70	100	40.4	
2.0"	100	65	349	386	20	16	367	404	75.5	359	396	70	100	46.8	
2.5"	100	70	385	422	30	20	413	450	88.2	404	441	100	100	53.1	
3.0"	120	80	412	454	30	24	444	486	100.8	433	475	100	100	59.4	
4.0"	150	90	434	481	30	30	500	547	125.4	469	516	100	100	71.7	

*C₁/E₁/F₁/H₁/Hub/Stroke₁: Hygienic execution
 *C₂/E₂/F₂/H₂/Hub/Stroke₂: Aseptic execution

Südmo North America, Inc.
 1330 Anvil Drive, Rockford, IL 61115 USA
 T 815.639.0322 • F 815.639.1135
 E info@sudmona.com • I www.sudmona.com

Südmo North America, Inc. reserves the right to make changes in the technical specifications at any time.

Select Regulating Valves

Norit
 leading in purification

Südmo