

Butterfly Valves



Product Features

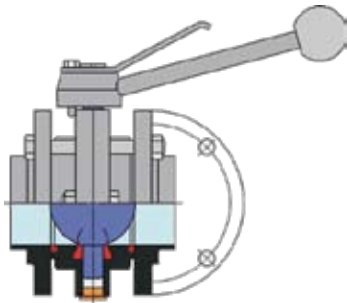
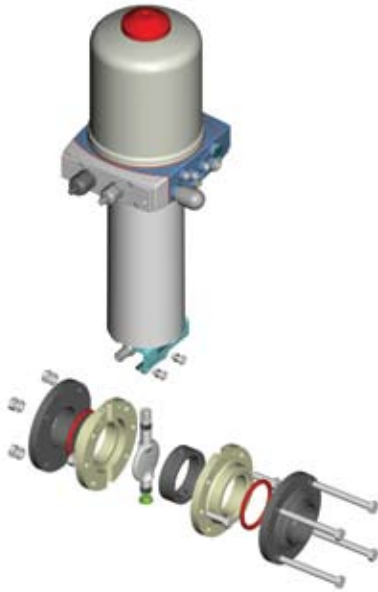
Norit Südmö's hygienic shut-off Butterfly Valves are used in all segments of the process industry including brewing, beverage, pharmaceutical, chemical, cosmetic, and some food applications. Our comprehensive valve line features both manual and pneumatic drive options, including lockable handles and vertical actuators. Norit Südmö offers a variety of options that allow monitoring and control of the valves through the control system, including our state-of-the-art IntelliTop™ option.

The special design of Norit Südmö's Butterfly Valves reduces friction between the valve disc and the disc seal, which minimizes wear and tear on the seals, and ensures longer maintenance intervals. All valves are manufactured from high-quality stainless steel and offer a variety of FDA compliant seal material options, including HNBR and PTFE. No special tools are required to change the seals, making the valve quick and easy to maintain. The complete line of Norit Südmö Butterfly Valves is highly resistant to aggressive media.

Norit Südmö's Butterfly Valves are available in sizes ranging from ½ to 6 inch OD Tube, Schedule 5, metric and ISO pipe dimensions, and offer a wide variety of connection types.

Norit Südmö's wide-ranging Butterfly Valve line backed by our proven technology, 24/7 customer service and our extensive on-hand inventory means we can meet all of your hygienic shut-off valve requirements.

Butterfly Valves



Benefits

- Solid butterfly discs manufactured from high-grade stainless steel
- Streamlined design guarantees low flow resistance
- Long seal life
- Many different connection types available
- Easy to maintain
- Highly resistant to aggressive media

Applications

Norit Südmo Butterfly Valves can be used in any application requiring a shut-off valve including:

- CIP supply and return
- Vertical manifolds
- Flow panels

Standard Specifications

Materials

- Product contact: 316L (1.4404)
- Non-product contact: 304 (1.4301)
- Optional: Upon request

Seals

- Standard: EPDM
- Optional: VMQ (Silicone), HNBR, PTFE, FPM (Fluoro-Rubber)

Operating Pressure

- Control air pressure: Standard 87-116 psi
- Product pressure: 145 psi max holding

Connections

- Standard: Sanitary O.D. tube butt weld
- Optional: Sanitary O.D. tube clamp or small-flange

All connection types are also available in metric, ISO and Schedule 5 dimensions

Finish

- <= 32 Ra product contact
- <= 63 Ra non-product contact

Options

- Improved mechanical polish/electropolish
- Control top
- Lockable handle

Südmo North America, Inc.

1330 Anvil Drive, Rockford, IL 61115 USA

T 815.639.0322 • F 815.639.1135

E info@sudmona.com • I www.sudmona.com

Südmo North America Inc. reserves the right to make changes in the technical specifications at any time.