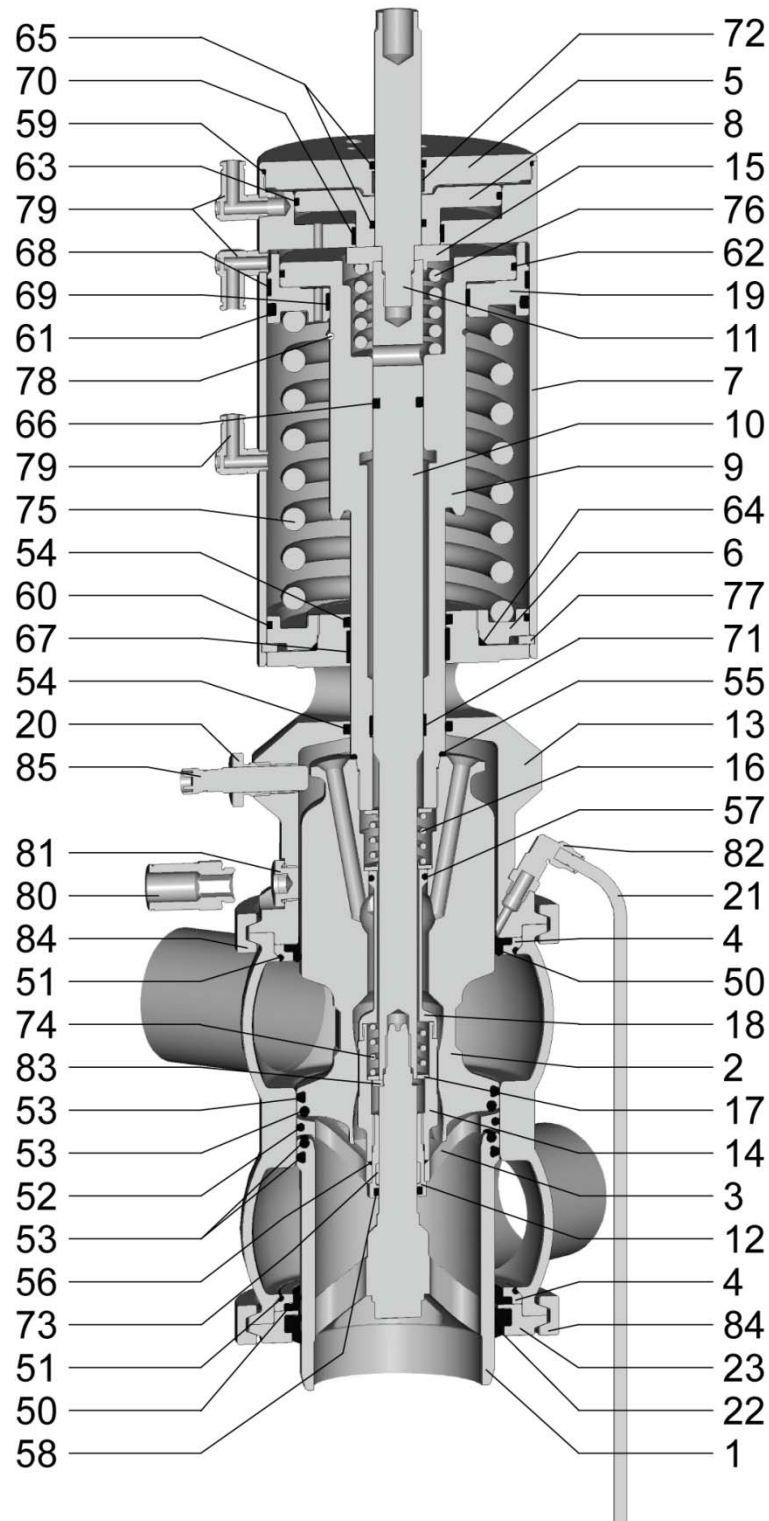


List of spare parts

Double seat valve
Type D 365it-rinsable
DN 1" – 4"



Änderung	Datum	Name	Änderung	Datum	Name	Änderung	Datum	Name	Änderung	Datum	Name

List of spare parts

Double seat valve
Type D 365it-rinsable
DN 1" – 4"

Pos.	Piece	Denomination	Material		Order no.	Order no.	Order no.		
1	1	Valve disc ¹⁾	1.4404	DN 1" / DN 1,5"	2155623	2155623	2155501		
2	1	Closing sleeve ¹⁾	1.4404		2143548	2143548	2143542		
3	1	Deflector ¹⁾	1.4404		2155615	2155615	2155503		
4	2	Housing cover base ¹⁾	1.4404		2141245	2141245	2141267		
5	1	Cylinder cover	1.4301		2155504	2155504	2155504		
6	1	Cylinder plate	1.4301		2143539	2143539	2143539		
7	1	Cylinder	1.4301		2155505	2155505	2155505		
8	1	Stroke piston	1.4301		2155506	2155506	2155506		
9	1	Stroke piston	1.4301		2143550	2143550	2155577		
10	1	Spindle base	1.4301		2143552	2143552	2143545		
11	1	Spindle top	1.4301		2155129	2155129	2155129		
12	1	Screw	1.4404		2155401	2155401	2155401		
13	1	Snaphead support	1.4301		2143547	2143547	2143534		
14	1	Bolt	PEEK		2155724	2155724	2155381		
15	1	Disc	1.4301		2155510	2155510	2155510		
16	1	Spring paket			2156595	2156595	2156595		
17	1	Disc	1.4301		2155382	2155382	2155382		
18	1	Tube	1.4404		2143551	2143551	2143544		
19	1	Piston	1.4301		2155512	2155512	2155512		
20	1	Compression piece	1.4301		2143506	2143506	2143506		
21	1	Tube	1.4301		2143334	2143334	2143334		
22	1	Guide ring *	PTFE		2131873	2131873	2131874		
23	1	Housing cover top	1.4301		2131867	2131867	2152038		
	1	Compl. set of gaskets product side consist. of: *	EPDM	DN 1" / DN 1,5"	2344115	DN 2"	2344115	DN 2,5"	2344116
			HNBR		2344119		2344119		2344120
	1	Compl. set of gaskets actuator side consist. of: #			2344112		2344112		2344112

Order example

1 Profile packing pos. 50, order no. 0962571 as per list E D 365it-sp.37

¹⁾ When ordering please indicate surface finishes which do not correspond to our standard, i.e. $R_A \leq 0,8 \mu\text{m}$.

Änderung	Datum	Name	Änderung	Datum	Name	Änderung	Datum	Name	Änderung	Datum	Name

List of spare parts

Double seat valve
Type D 365it-rinsable
DN 1" – 4"

Pos.	Piece	Denomination	Material	Order no.	Order no.	Order no.
50	2	Profile packing *	EPDM	0962597	0962597	0962571
			HNBR	2130745	2130745	2130746
51	2	O-ring *	EPDM	0770669	0770669	0953620
			HNBR	2130788	2130788	2130754
52	1	O-ring *	EPDM	2155547	2155547	2155443
			HNBR	2143441	2143441	2143442
53	4	O-ring *	EPDM	0988626	0988626	2151946
			HNBR	2130790	2130790	2151945
54	2	O-ring *#	EPDM	2153109	2153109	2153109
			HNBR	2142168	2142168	2142168
55	1	O-ring *	EPDM	0884064	0884064	0884064
			HNBR	2128297	2128297	2128297
56	1	O-ring *	EPDM	2155140	2155140	2155140
			HNBR	2143445	2143445	2143445
57	1	O-ring *	EPDM	0952762	0952762	0952762
			HNBR	2156935	2156935	2156935
58	1	O-ring *	EPDM	2109403	2109403	2109403
			HNBR	2143444	2143444	2143444
59	1	O-ring #	EPDM	0182733	0182733	0182733
60	1	O-ring #	NBR	0037077	0037077	0037077
61	1	O-ring #	NBR	0070623	0070623	0070623
62	1	O-ring #	NBR	0051821	0051821	0051821
63	1	O-ring #	NBR	0115980	0115980	0115980
64	1	O-ring *	NBR	0924381	0924381	0924381
65	2	O-ring #	NBR	0116723	0116723	0116723
66	1	O-ring #	NBR	0116855	0116855	0116855
67	1	Piston guide strip *	PTFE	2152015	2152015	2152015
68	1	Piston guide strip #	PTFE	2152614	2152614	2152614
69	1	Piston guide strip #	PTFE	2155539	2155539	2155539
70	1	Piston guide strip #	PTFE	2141717	2141717	2141717
71	1	Slide bearing #	PEEK	2155541	2155541	2155541
72	1	Slide bearing #	Iglidur	2131740	2131740	2131740
73	1	Slide bearing *	PEEK	2155121	2155121	2155121

Änderung	Datum	Name	Änderung	Datum	Name	Änderung	Datum	Name	Änderung	Datum	Name

List of spare parts

Double seat valve
Type D 365it-rinsable
DN 1" – 4"

Pos.	Piece	Denomination	Material	Order no.	Order no.	Order no.
74	1	Compression spring	1.4310	2117235	2117235	2117235
75	1	Compression spring	CrSi	2132168	2132168	2132168
76	1	Compression spring	CrSi	2132170	2132170	2132170
77	1	Guard ring	nickel-plated	0716175	0716175	0716175
78	1	Snap ring	1.4310	2155538	2155538	2155538
79	3	Angular screw-in-union		2116513	2116513	2116513
80	1	Screw-in-union		2143587	2143587	2143587
81	1	Locking screw		2143586	2143586	2143586
82	1	Legris angular-union		2143503	2143503	2143503
83	1	Lock washer	A 2	0952721	0952721	0952721
84	2	Clamp	1.4301	0034595	0034595	2125807
85	1	Feedback		2143554	2143554	2143554

Änderung	Datum	Name	Änderung	Datum	Name	Änderung	Datum	Name	Änderung	Datum	Name

List of spare parts

Double seat valve
Type D 365it-rinsable
DN 1" – 4"

Pos.	Piece	Denomination	Material		Order no.	Order no.
1	1	Valve disc ¹⁾	1.4404	DN 3"	2155501	2155391
2	1	Closing sleeve ¹⁾	1.4404		2143535	2143336
3	1	Deflector ¹⁾	1.4404		2155503	2155118
4	2	Housing cover base ¹⁾	1.4404		2141267	2152307
5	1	Cylinder cover	1.4301		2155504	2155130
6	1	Cylinder plate	1.4301		2143539	2143526
7	1	Cylinder	1.4301		2155505	2155125
8	1	Stroke piston	1.4301		2155506	2155128
9	1	Stroke piston	1.4301		2143537	2143525
10	1	Spindle base	1.4301		2143540	2143527
11	1	Spindle top	1.4301		2155129	2155129
12	1	Screw	1.4404		2155401	2155401
13	1	Snaphead support	1.4301		2143534	2143338
14	1	Bolt	PEEK		2155381	2155381
15	1	Disc	1.4301		2155510	2155127
16	1	Spring paket			2156595	2156595
17	1	Disc	1.4301		2155382	2155382
18	1	Tube	1.4404		2143538	2143335
19	1	Piston	1.4301		2155512	2155126
20	1	Compression piece	1.4301		2143506	2143506
21	1	Tube	1.4301		2143334	2143334
22	1	Guide ring *	PTFE		2131874	2131668
23	1	Housing cover top	1.4301		2152038	2152306
	1	Compl. set of gaskets product side consist. of: *	EPDM	DN 3"	2344116	2344117
			HNBR		2344120	2344121
	1	Compl. set of gaskets actuator side consist. of: #			2344112	2344113

Änderung	Datum	Name	Änderung	Datum	Name	Änderung	Datum	Name	Änderung	Datum	Name

List of spare parts

Double seat valve
Type D 365it-rinsable
DN 1" – 4"

Pos.	Piece	Denomination	Material	Order no.	Order no.
50	2	Profile packing *	EPDM	0962571	0963777
			HNBR	2130746	2130747
51	2	O-ring *	EPDM	0953620	2152308
			HNBR	2130754	2127313
52	1	O-ring *	EPDM	2155443	2155444
			HNBR	2143442	2143443
53	4	O-ring *	EPDM	2151946	2151944
			HNBR	2151945	2151943
54	2	O-ring *#	EPDM	2153109	2142162
			HNBR	2142168	2142164
55	1	O-ring *	EPDM	0884064	2105247
			HNBR	2128297	2130821
56	1	O-ring *	EPDM	2155140	2155140
			HNBR	2143445	2143445
57	1	O-ring *	EPDM	0952762	0952762
			HNBR	2156935	2156935
58	1	O-ring *	EPDM	2109403	2109403
			HNBR	2143444	2143444
59	1	O-ring #	EPDM	0182733	0050757
60	1	O-ring #	NBR	0037077	0033472
61	1	O-ring #	NBR	0070623	0461111
62	1	O-ring #	NBR	0051821	2143101
63	1	O-ring #	NBR	0115980	0721217
64	1	O-ring *	NBR	0924381	0924381
65	2	O-ring #	NBR	0116723	0116723
66	1	O-ring #	NBR	0116855	0116855
67	1	Piston guide strip *	PTFE	2152015	2143529
68	1	Piston guide strip #	PTFE	2152614	2113348
69	1	Piston guide strip #	PTFE	2155539	0607374
70	1	Piston guide strip #	PTFE	2141717	2141717
71	1	Slide bearing #	PEEK	2155541	2155541
72	1	Slide bearing #	Iglidur	2131740	2131740
73	1	Slide bearing *	PEEK	2155121	2155121

Änderung	Datum	Name	Änderung	Datum	Name	Änderung	Datum	Name	Änderung	Datum	Name

List of spare parts

Double seat valve
Type D 365it-rinsable
DN 1" – 4"

Pos.	Piece	Denomination	Material		Order no.	Order no.
74	1	Compression spring	1.4310	DN 3"	2117235	2117235
75	1	Compression spring	CrSi		2132168	0318857
76	1	Compression spring	CrSi		2132170	2122511
77	1	Guard ring	nickel-plated		0716175	0716225
78	1	Snap ring	1.4310		2155538	2143102
79	3	Angular screw-in-union			2116513	2116513
80	1	Screw-in-union			2143587	2143587
81	1	Locking screw			2143586	2143586
82	1	Legris angular-union			2143503	2143503
83	1	Lock washer	A 2		0952721	0952721
84	2	Clamp	1.4301		2125807	2130636
85	1	Feedback			2143554	2143554

Änderung	Datum	Name	Änderung	Datum	Name	Änderung	Datum	Name	Änderung	Datum	Name