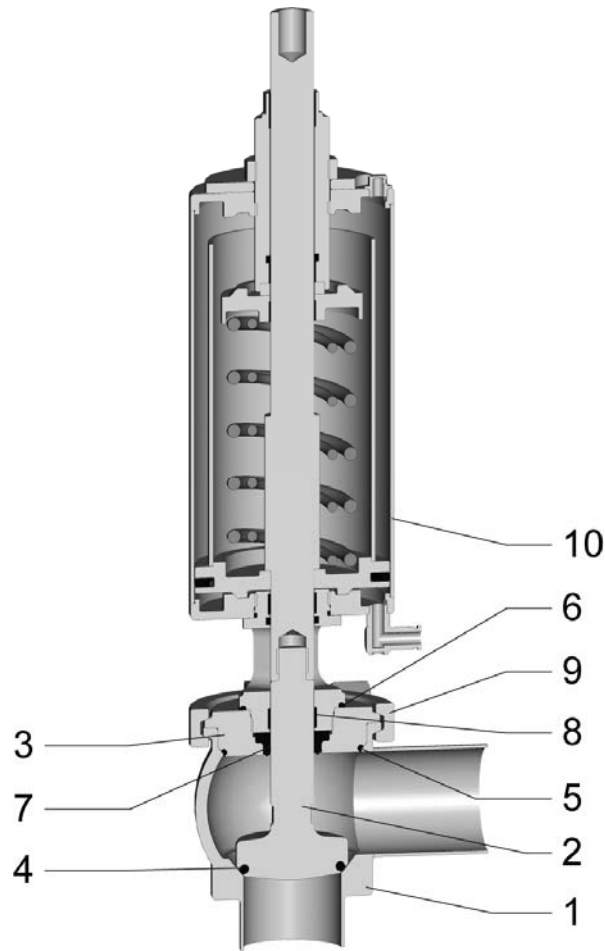


List of spare parts
SVP-Overflow valve DN 1"
pneum. operated
Profile gasket – O-ring



Pos.	Pcs.	Denomination	Material	Order no.
1	1	Housing	1.4404	2156244
2	1	Valve disk	1.4404	2132016
3	1	Support	1.4404	2131965
4	1	O-ring *	FPM	2101377
5	1	O-ring *	FPM	2128518
6	1	O-ring *	EPDM	0962118
7	1	Profile gasket *	FPM	2128527
8	1	Slide bearing *	PEEK	2131741
9	1	Clamp	1.4301	0034447
10	1	Pneum. actuator air to open – spring to close		2159110
	1	Compl. set of gaskets consist. of: *	FPM	2143626

Änderung	Datum	Name	Änderung	Datum	Name	Änderung	Datum	Name	Änderung	Datum	Name