

| Pos. | Stück<br>Piece | Benennung<br>Denomination                    | Werkstoff<br>Material | Werkstoff<br>Material |
|------|----------------|--|-----------------------|-----------------------|
| 1    | 1              | Ventilteller<br>Valve disc *                 | 1.4404                | 2102594               |
| 2    | 1              | Schließhülse<br>Closing sleeve *             | 1.4404                | 2102596               |
| 3    | 1              | Aufnahmeoberteil<br>Support top*             | 1.4301                | 2128123               |
| 4    | 1              | Aufnahmeunterteil<br>Support base            | 1.4404                | 2128126               |
| 5    | 1              | Spindelunterteil<br>Spindle base             | 1.4301                | 0970087               |
| 6    | 1              | Spindeloberteil<br>Spindle base              | 1.4301                | 0970095               |
| 7    | 1              | Taktkolben<br>Stroke piston                  | 1.4301                | 0970103               |
| 8    | 1              | Kolben<br>Piston                             | POM GF 30             | 0970111               |
| 9    | 1              | Zylinderdeckel<br>Cylinder cap               | 1.4301                | 2109761               |
| 10   | 1              | Zylinder<br>Cylinder                         | 1.4301                | 0970137               |
| 11   | 1              | Zwischenstück<br>Connection                  | 1.4301                | 0967240               |
| 12   | 1              | Einstellkolben<br>Adjustment piston          | POM GF 30             | 2102098               |
| 13   | 1              | Zylinderboden<br>Cylinder plate              | 1.4301                | 2102099               |
| 14   | 1              | Schließkopfaufnahme<br>Snaphead support      | 1.4308                | 2102100               |
| 15   | 1              | Kontaktknopf<br>Contact head                 | 1.4301                | 0376376               |
| 16   | 1              | Führungsring<br>Guide ring *                 | PTFE                  | 0967299               |
| 17   | 1              | Führungsstab<br>Guide rod                    | 1.4301                | 0921643               |
| 18   | 1              | Ventiltellerführung<br>Valve disc guide      | PEEK                  | 0970152               |
| 19   | 1              | Stützring<br>Thrust ring                     | POM                   | 0970160               |
| 20   | 1              | Gehäusedeckelunterteil<br>Housing cover base | 1.4404                | 2128132               |
| 21   | 1              | Gehäusedeckeloberteil<br>Housing cover top   | 1.4301                | 2128129               |
| 22   | 1              | Führungsring<br>Guide ring *                 | PTFE                  | 2128138               |

|   |      |         |
|---|------|---------|
| Dichtungssatz produktseitig best. aus:<br>Compl. set of gaskets product side consist. of: *   | EPDM | 2025134 |
|   | FPM  | 2340548 |
|   | HNBR | 2341670 |
| Dichtungssatz antriebsseitig best. aus:<br>Compl. set of gaskets actuator side consist. of: # |      | 2901025 |

**Bestellbeispiel / Order example:**

1 Profildichtung Pos. 30, Best.-Nr. 0962589 nach Liste E D620AG.07

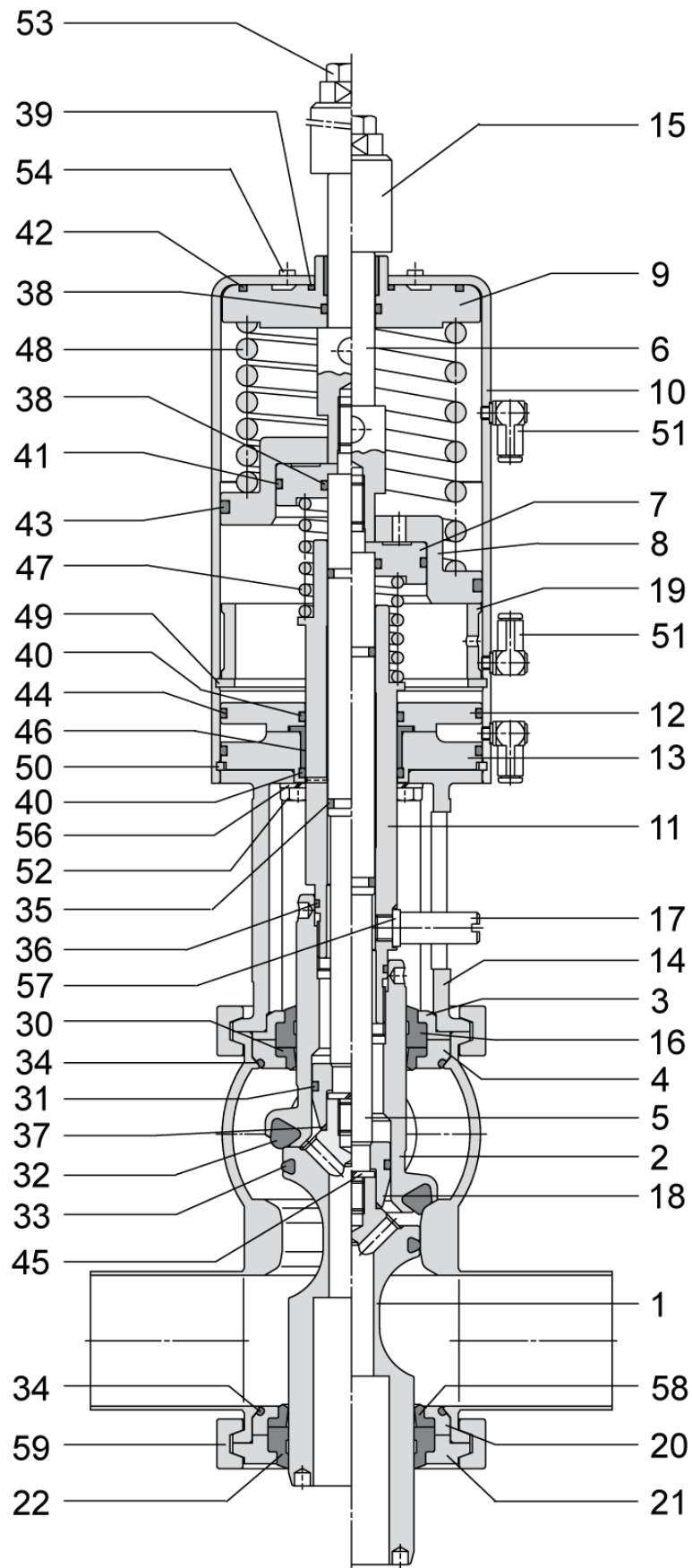
1 Profile packing pos. 30, order no. 0962589 as per list E D620AG.07

\* Vom Standard ( $R_A \leq 1,6 \mu\text{m}$ ) abweichende Oberflächengüte bei Bestellung bitte angeben.

\* When ordering please indicate surface finishes which do not correspond to our standard, i.e.  $R_A \leq 1,6 \mu\text{m}$

| Pos. | Stück<br>Piece | Benennung<br>Denomination         | Werkstoff<br>Material | Werkstoff<br>Material  |         |
|------|----------------|-----------------------------------|-----------------------|------------------------|---------|
| 30   | 1              | Profildichtung<br>Profile packing | *                     | EPDM                   | 0962589 |
|      |                |                                   |                       | FPM                    | 2108789 |
|      |                |                                   |                       | HNBR                   | 2130741 |
| 31   | 1              | O-Ring<br>O-ring                  | *                     | EPDM                   | 0970178 |
|      |                |                                   |                       | FPM                    | 0020446 |
|      |                |                                   |                       | HNBR                   | 2130807 |
| 32   | 1              | O-Ring<br>O-ring                  | *                     | EPDM                   | 0883835 |
|      |                |                                   |                       | FPM                    | 2108786 |
|      |                |                                   |                       | HNBR                   | 2130820 |
| 33   | 1              | O-Ring<br>O-ring                  | *                     | EPDM                   | 0883884 |
|      |                |                                   |                       | FPM                    | 2108785 |
|      |                |                                   |                       | HNBR                   | 2130767 |
| 34   | 2              | O-Ring / O-ring                   | *                     | EPDM                   | 0966796 |
|      |                |                                   |                       | FPM                    | 2108787 |
|      |                |                                   |                       | HNBR                   | 2130785 |
| 35   | 2              | O-Ring<br>O-ring                  | #                     | EPDM                   | 0885038 |
| 36   | 1              | O-Ring / O-ring                   | *                     | EPDM                   | 0966804 |
|      |                |                                   |                       | FPM                    | 2108788 |
|      |                |                                   |                       | HNBR                   | 2130784 |
| 37   | 1              | O-Ring<br>O-ring                  | *                     | EPDM                   | 0962654 |
|      |                |                                   |                       | FPM                    | 2128087 |
|      |                |                                   |                       | HNBR                   | 2130804 |
| 38   | 2              | O-Ring<br>O-ring                  | #                     | NBR                    | 0116814 |
| 39   | 1              | O-Ring<br>O-ring                  | #                     | NBR                    | 0029975 |
| 40   | 2              | O-Ring<br>O-ring                  | #                     | NBR                    | 0891846 |
| 41   | 1              | O-Ring<br>O-ring                  | #                     | NBR                    | 2102101 |
| 42   | 1              | O-Ring<br>O-ring                  | #                     | NBR                    | 0116046 |
| 43   | 1              | O-Ring<br>O-ring                  | #                     | NBR                    | 0030098 |
| 44   | 2              | O-Ring<br>O-ring                  | #                     | NBR                    | 0041921 |
| 45   | 1              | Federring<br>Lock washer          |                       | 1.4310                 | 0418350 |
| 46   | 1              | Gleitlager<br>Slide bearing       | #                     | Iglidur G              | 0944264 |
| 47   | 1              | Druckfeder<br>Compression spring  |                       | 1.4310                 | 0528174 |
| 48   | 1              | Druckfeder<br>Compression spring  |                       | 1.4310                 | 0541029 |
| 49   | 1              | Sicherungsring<br>Guard ring      |                       | vernickelt<br>nickeled | 0716167 |
| 50   | 1              | Sprengring<br>Snap ring           |                       | 1.4310                 | 0948745 |

| Pos. | Stück<br>Piece | Benennung<br>Denomination                              | Werkstoff<br>Material | Werkstoff<br>Material |
|------|----------------|--|-----------------------|-----------------------|
| 51   | 3              | Winkelverschraubungsanschluß<br>Angular screw-in-union |                       | 2116512               |
| 52   | 4              | Zylinderschraube<br>Socket head screw                  | A 2-70                | 2102476               |
| 53   | 1              | Sechskantschraube<br>Hexagonal screw                   | A 2-70                | 0205021               |
| 54   | 5              | Kegelstopfen<br>Conical plug                           | LD-PE                 | 0074195               |
| 55   | 1              | Dichtung<br>Sealing                                    | PVDF                  | 0962324               |
| 56   | 4              | Federring<br>Lock washer                               | A 2                   | 0949750               |
| 57   | 3              | Dichtung<br>Sealing                                    | PA                    | 0070565               |
| 58   | 1              | Profildichtung<br>Profile packing                      |                       | *                     |
|      |                |  | EPDM                  | 0962555               |
|      |                |  | FPM                   | 2108790               |
|      |                | HNBR   | 2130742               |                       |
| 59   | 2              | Gelenkklemme<br>Joint clamp                            | 1.4308                | 0034587               |



| Pos. | Stück<br>Piece | Benennung<br>Denomination                    | Werkstoff<br>Material | Werkstoff<br>Material |
|------|----------------|--|-----------------------|-----------------------|
| 1    | 1              | Ventilteller<br>Valve disc *                 | 1.4404                | 2102594               |
| 2    | 1              | Schließhülse<br>Closing sleeve *             | 1.4404                | 2102596               |
| 3    | 1              | Aufnahmeoberteil<br>Support top*             | 1.4301                | 2128123               |
| 4    | 1              | Aufnahmeunterteil<br>Support base            | 1.4404                | 2128126               |
| 5    | 1              | Spindelunterteil<br>Spindle base             | 1.4301                | 0970087               |
| 6    | 1              | Spindeloberteil<br>Spindle base              | 1.4301                | 0970095               |
| 7    | 1              | Taktkolben<br>Stroke piston                  | 1.4301                | 0970103               |
| 8    | 1              | Kolben<br>Piston                             | POM GF 30             | 0970111               |
| 9    | 1              | Zylinderdeckel<br>Cylinder cap               | 1.4301                | 2109761               |
| 10   | 1              | Zylinder<br>Cylinder                         | 1.4301                | 0970137               |
| 11   | 1              | Zwischenstück<br>Connection                  | 1.4301                | 0967240               |
| 12   | 1              | Einstellkolben<br>Adjustment piston          | POM GF 30             | 2102098               |
| 13   | 1              | Zylinderboden<br>Cylinder plate              | 1.4301                | 2102099               |
| 14   | 1              | Schließkopfaufnahme<br>Snaphead support      | 1.4308                | 2102100               |
| 15   | 1              | Kontaktknopf<br>Contact head                 | 1.4301                | 0376376               |
| 16   | 1              | Führungsring<br>Guide ring *                 | PTFE                  | 0967299               |
| 17   | 1              | Führungsstab<br>Guide rod                    | 1.4301                | 0921643               |
| 18   | 1              | Ventiltellerführung<br>Valve disc guide      | PEEK                  | 0970152               |
| 19   | 1              | Stützring<br>Thrust ring                     | POM                   | 0970160               |
| 20   | 1              | Gehäusedeckelunterteil<br>Housing cover base | 1.4404                | 2128132               |
| 21   | 1              | Gehäusedeckeloberteil<br>Housing cover top   | 1.4301                | 2128129               |
| 22   | 1              | Führungsring<br>Guide ring *                 | PTFE                  | 2128138               |

|   |      |         |
|---|------|---------|
| Dichtungssatz produktseitig best. aus:<br>Compl. set of gaskets product side consist. of: *   | EPDM | 2025134 |
|   | FPM  | 2340548 |
|   | HNBR | 2341670 |
| Dichtungssatz antriebsseitig best. aus:<br>Compl. set of gaskets actuator side consist. of: # |      | 2901025 |

**Bestellbeispiel / Order example:**

1 Profildichtung Pos. 30, Best.-Nr. 0962589 nach Liste E D620AG.07

1 Profile packing pos. 30, order no. 0962589 as per list E D620AG.07

\* Vom Standard ( $R_A \leq 1,6 \mu\text{m}$ ) abweichende Oberflächengüte bei Bestellung bitte angeben.

\* When ordering please indicate surface finishes which do not correspond to our standard, i.e.  $R_A \leq 1,6 \mu\text{m}$

| Pos. | Stück<br>Piece | Benennung<br>Denomination         | Werkstoff<br>Material | Werkstoff<br>Material  |         |
|------|----------------|-----------------------------------|-----------------------|------------------------|---------|
| 30   | 1              | Profildichtung<br>Profile packing | *                     | EPDM                   | 0962589 |
|      |                |                                   |                       | FPM                    | 2108789 |
|      |                |                                   |                       | HNBR                   | 2130741 |
| 31   | 1              | O-Ring<br>O-ring                  | *                     | EPDM                   | 0970178 |
|      |                |                                   |                       | FPM                    | 0020446 |
|      |                |                                   |                       | HNBR                   | 2130807 |
| 32   | 1              | O-Ring<br>O-ring                  | *                     | EPDM                   | 0883835 |
|      |                |                                   |                       | FPM                    | 2108786 |
|      |                |                                   |                       | HNBR                   | 2130820 |
| 33   | 1              | O-Ring<br>O-ring                  | *                     | EPDM                   | 0883884 |
|      |                |                                   |                       | FPM                    | 2108785 |
|      |                |                                   |                       | HNBR                   | 2130767 |
| 34   | 2              | O-Ring / O-ring                   | *                     | EPDM                   | 0966796 |
|      |                |                                   |                       | FPM                    | 2108787 |
|      |                |                                   |                       | HNBR                   | 2130785 |
| 35   | 2              | O-Ring<br>O-ring                  | #                     | EPDM                   | 0885038 |
| 36   | 1              | O-Ring / O-ring                   | *                     | EPDM                   | 0966804 |
|      |                |                                   |                       | FPM                    | 2108788 |
|      |                |                                   |                       | HNBR                   | 2130784 |
| 37   | 1              | O-Ring<br>O-ring                  | *                     | EPDM                   | 0962654 |
|      |                |                                   |                       | FPM                    | 2128087 |
|      |                |                                   |                       | HNBR                   | 2130804 |
| 38   | 2              | O-Ring<br>O-ring                  | #                     | NBR                    | 0116814 |
| 39   | 1              | O-Ring<br>O-ring                  | #                     | NBR                    | 0029975 |
| 40   | 2              | O-Ring<br>O-ring                  | #                     | NBR                    | 0891846 |
| 41   | 1              | O-Ring<br>O-ring                  | #                     | NBR                    | 2102101 |
| 42   | 1              | O-Ring<br>O-ring                  | #                     | NBR                    | 0116046 |
| 43   | 1              | O-Ring<br>O-ring                  | #                     | NBR                    | 0030098 |
| 44   | 2              | O-Ring<br>O-ring                  | #                     | NBR                    | 0041921 |
| 45   | 1              | Federring<br>Lock washer          |                       | 1.4310                 | 0418350 |
| 46   | 1              | Gleitlager<br>Slide bearing       | #                     | Iglidur G              | 0944264 |
| 47   | 1              | Druckfeder<br>Compression spring  |                       | 1.4310                 | 0528174 |
| 48   | 1              | Druckfeder<br>Compression spring  |                       | 1.4310                 | 0541029 |
| 49   | 1              | Sicherungsring<br>Guard ring      |                       | vernickelt<br>nickeled | 0716167 |
| 50   | 1              | Sprengring<br>Snap ring           |                       | 1.4310                 | 0948745 |

| Pos. | Stück<br>Piece | Benennung<br>Denomination                              | Werkstoff<br>Material | Werkstoff<br>Material |
|------|----------------|--|-----------------------|-----------------------|
| 51   | 3              | Winkelverschraubungsanschluß<br>Angular screw-in-union |                       | 2116512               |
| 52   | 4              | Zylinderschraube<br>Socket head screw                  | A 2-70                | 2102476               |
| 53   | 1              | Sechskantschraube<br>Hexagonal screw                   | A 2-70                | 0205021               |
| 54   | 5              | Kegelstopfen<br>Conical plug                           | LD-PE                 | 0074195               |
| 55   | 1              | Dichtung<br>Sealing                                    | PVDF                  | 0962324               |
| 56   | 4              | Federring<br>Lock washer                               | A 2                   | 0949750               |
| 57   | 3              | Dichtung<br>Sealing                                    | PA                    | 0070565               |
| 58   | 1              | Profildichtung<br>Profile packing                      |                       | *                     |
|      |                |  | EPDM                  | 0962555               |
|      |                |  | FPM                   | 2108790               |
|      |                | HNBR   | 2130742               |                       |
| 59   | 2              | Gelenkklemme<br>Joint clamp                            | 1.4308                | 0034587               |