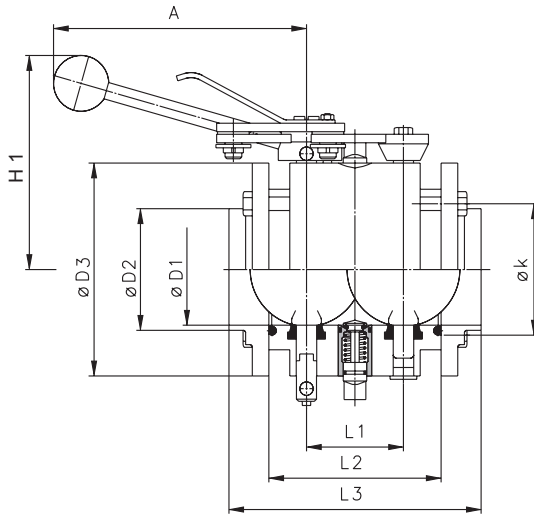
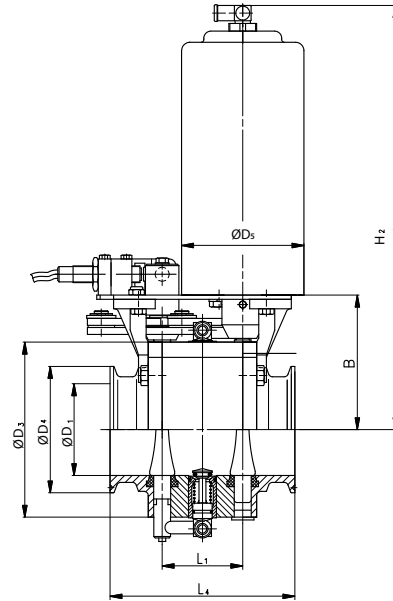


Valve Dimensions



Small Flange 1-6"
L587Z
L667Z



Tri-Clamp 1-6"
L588Z
L668Z

	OD-Tube	ØD ₁	ØD ₂	ØD ₃	ØD ₄	ØD ₅	A	Øk	H ₁	H ₂	L ₁	L ₃	L ₄	lbs
inches	1.0"	7/8	1	3 5/16	1 15/16	3 7/16	5 7/8	2 5/8	3 9/16	10 7/8	2 5/16	6 1/4	5 1/16	10.8/20.1
	1.5"	1 3/8	1 1/2	3 3/4	1 15/16	3 7/16	5 7/8	3 1/8	4	11 1/8	2 5/16	6 1/4	5 1/16	13.0/22.0
	2.0"	1 7/8	2	4 5/16	2 1/2	3 7/16	6 11/16	3 11/16	4 9/16	1 5/16	2 5/16	6 1/4	5 1/16	15.4/24.7
	2.5"	2 3/8	2 1/2	4 15/16	3	3 7/16	6 11/16	4 5/16	4 7/8	11 5/8	2 5/16	6 1/4	5 1/16	18.7/28.0
	3.0"	2 7/8	3	5 5/16	3 1/2	3 7/16	6 11/16	4 15/16	5 3/16	11 15/16	2 5/16	6 1/4	5 1/16	21.6/44.1
	4.0"	3 13/16	4	6 5/16	4 5/8	5	6 11/16	5 11/16	5 13/16	14 1/16	2 5/16	6 1/4	5 1/16	26.5/48.7
	5.0	4 13/16	5	7 7/8		5	10 5/8	7 1/16	7 7/8	14 5/8	3 1/8	7 7/8	Upon Request	Upon Request
6.0	5 13/16	6	9 1/16		5	10 5/8	8 1/4	8 11/16	15 1/4	3 1/8	7 7/8	10 1/4	61/83	

Note: Values in fractional inches have been rounded to the nearest 1/16 inch

	OD-Tube	ØD ₁	ØD ₂	ØD ₃	ØD ₄	ØD ₅	A	Øk	H ₁	H ₂	L ₁	L ₃	L ₄	lbs
millimeters	1.0"	22.1	25.4	84	50	88	150	67	90	286	58	158	128	10.8/20.1
	1.5"	34.8	38.1	96	50	88	150	80	101	292	58	158	128	13.0/22.0
	2.0"	47.5	50.8	109	64	88	170	93	116	298	58	158	128	15.4/24.7
	2.5"	60.2	63.5	126	77	88	170	110	124	307	58	158	133	18.7/28.0
	3.0"	72.9	76.2	141	91	88	170	125	132	314	58	158	133	21.6/44.1
	4.0"	97.4	101.6	161	119	127	170	145	148	357	58	158	133	26.5/48.7
	5.0	123.0	127.0	200		127	270	180	200	395	80	200	Upon Request	Upon Request
6.0	148.4	156.7	230		127	270	210	220	410	80	200	259	28/38	

Südmo North America Inc.

1330 Anvil Drive, Rockford, IL 61115 USA

T 815.639.0322 • F 815.639.1135

E info@sudmona.com • I www.sudmona.com

Südmo North America Inc. reserves the right to make changes in the technical specifications at any time.

4311-0901

Mix Proof Butterfly Valves

Norit
leading in purification

Südmo