

# Operating Instructions for Fittings

## **BAA S185301**

Feedback protection cover  
for pharmaceutical valves  
signal "OPEN" and "CLOSED"

### **Contents**

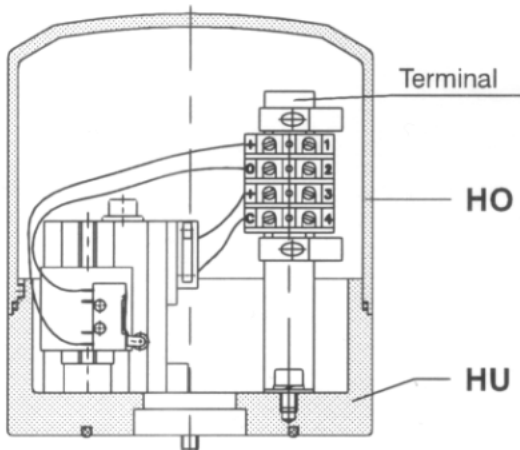
Technical data .....	2
Dismantling – Assembly .....	3

### **Annex**

Type sheet for Feedback .....	RM 1201
-------------------------------	---------

# TECHNICAL DATA

Feedback protection cover for pharmaceutical valves  
signal "OPEN" and "CLOSED"



## Application:

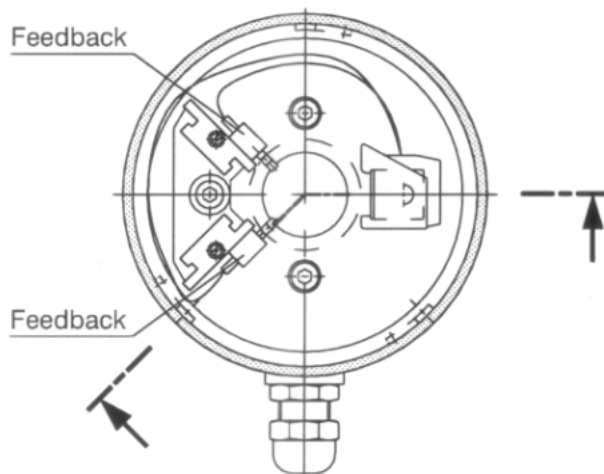
Pharmaceutical valves  
Feedback protection cover for double  
signal "OPEN" and "CLOSED"

## Feedback:

Microswitch  
Type: Crouzet 83 133 0  
See type sheet RM 1201

## Material data:


Cover base (HU):	Tecaform AH ELS
Transparent cover (HO):	Ultraform N2520 XL
Bracket for terminal strip:	1.4301
O-rings:	75EPDM168348 NBR
Screws:	A 2-70



# DISMANTLING – ASSEMBLY

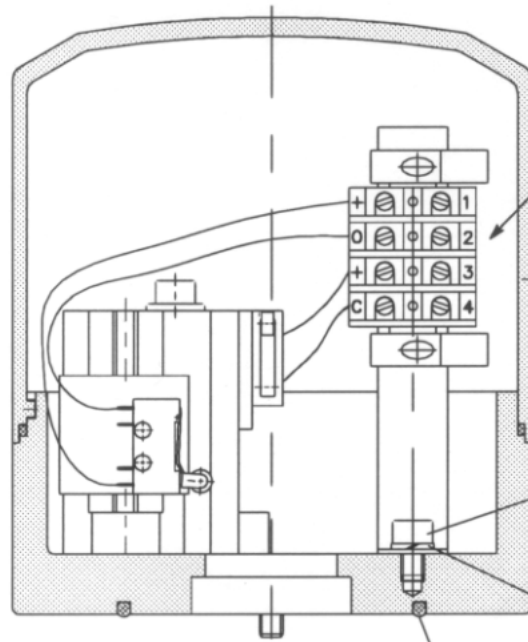
Feedback protection cover for pharmaceutical valves  
signal "OPEN" and "CLOSED"



 – Pay due regard to the electric supply voltage  
– Switch off the power supply

**Dismantling**  
In succession 1 – 11

**Assembly**  
In succession 11 – 1



4. Separate connecting leads from terminal strip

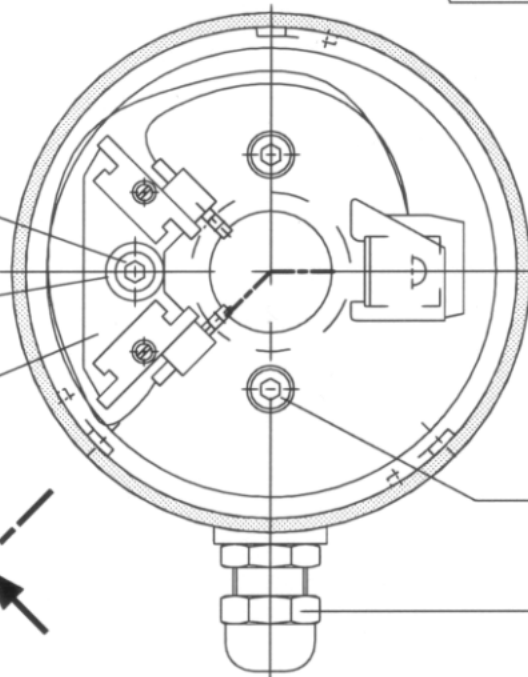
1. Remove transparent cover

11. Remove O-ring

5. For dismounting the complete terminal strip, please unscrew socket head screw

6. Remove lock washer and disc

10. Remove O-ring



2. Unscrew socket head screw and remove complete cover base from valve

3. Loosen cable gland

7. Unscrew hexagonal screw

8. Remove disc

9. Remove feedback unit

# DISMANTLING – ASSEMBLY

Feedback protection cover for pharmaceutical valves  
signal "OPEN" and "CLOSED"



## Electrical connection:

The electrical installation must be carried out by trained skilled personnel.  
The VDE and local regulations and all necessary safety measures must be observed.  
The supply voltage must correspond to the specification on the rating plate.  
The terminal assignment must be as indicated on the circuit diagram:

