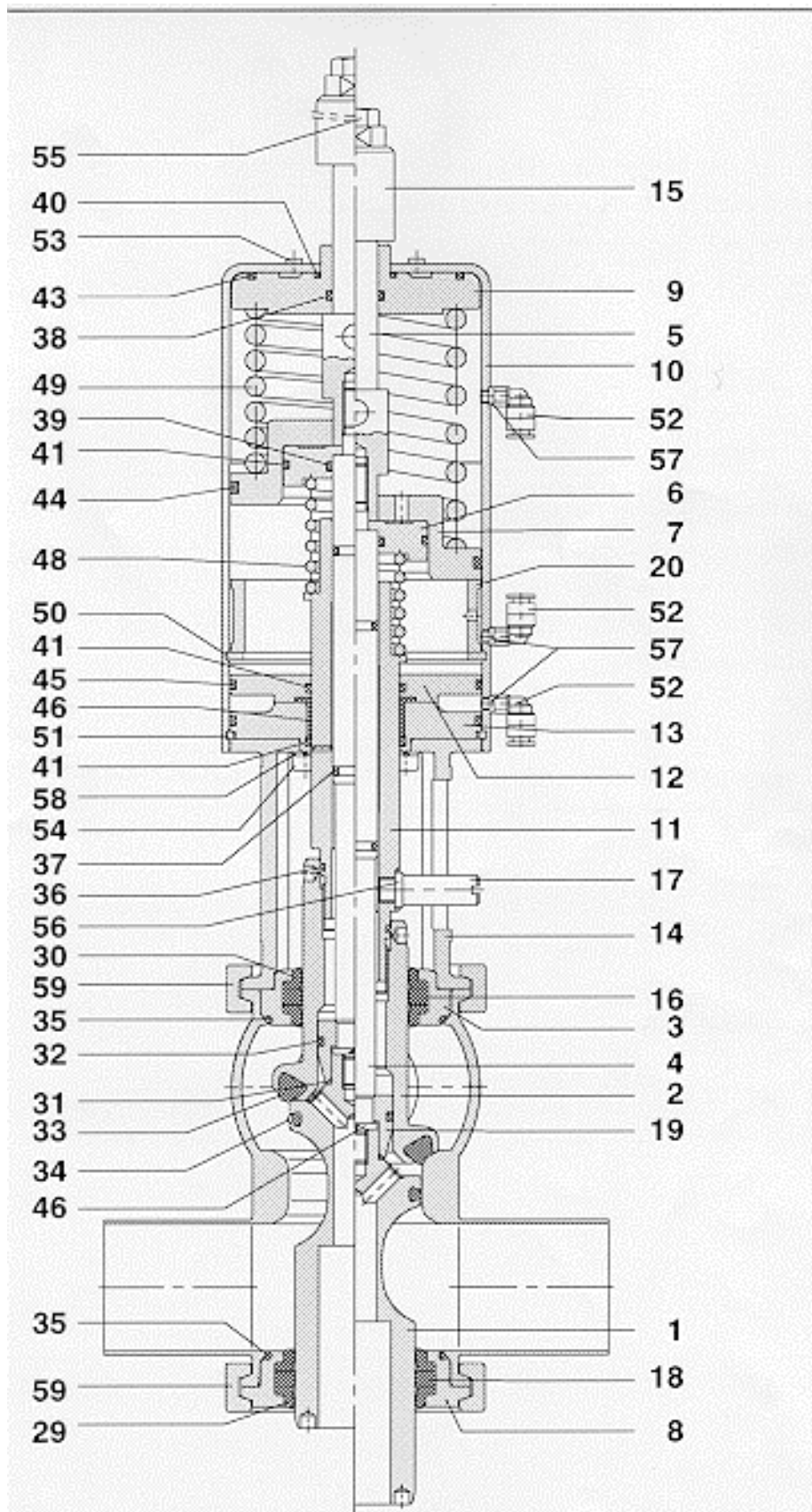


Ersatzteilliste / List of spare parts

Doppelsitzventil Typ D 620 DN 65, DN 2½"
Double seat valve type D 620 DN 65, DN 2½"



Zchn.-Nr. / Drawing no.

Artikel-Nr. / Article no.

erst. am/von 23.05.2000 Feldmeier
gepr. am/von 23.05.2000

1

E
D620.08.01

| Pos. | Stück Piece | Benennung / Denomination | Werkstoff Material | Best.-Nr. Order no. | Abmessung Dimension |
|------|----------------|---|-----------------------|------------------------|------------------------|
| 1 | 1 | Ventilteller / Valve disc * | 1.4404 | 2106020 | |
| 2 | 1 | Schließhülse / Closing sleeve * | 1.4404 | 2106021 | |
| 3 | 1 | Aufnahme / Support * | 1.4404 | 2106022 | |
| 4 | 1 | Spindelunterteil / Spindle base | 1.4301 | 0969394 | |
| 5 | 1 | Spindeloberteil / Spindle base | 1.4301 | 0969402 | |
| 6 | 1 | Taktkolben / Stroke piston | 1.4301 | 0969410 | |
| 7 | 1 | Kolben / Piston | POM | 0967109 | |
| 8 | 1 | Gehäusedeckel / Housing cover | 1.4404 | 2106027 | |
| 9 | 1 | Zylinderdeckel / Cylinder cap | POM | 0969428 | |
| 10 | 1 | Zylinder / Cylinder | 1.4301 | 0969436 | |
| 11 | 1 | Zwischenstück / Connection | 1.4301 | 0967133 | |
| 12 | 1 | Einstellkolben / Adjustment piston | POM | 2102066 | |
| 13 | 1 | Zylinderboden / Cylinder plate | 1.4301 | 0967158 | |
| 14 | 1 | Schließkopfaufnahme Snaphead support | 1.4308 | 0967166 | |
| 15 | 1 | Kontaktknopf / Contact head | 1.4301 | 0376376 | |
| 16 | 1 | Führungsring / Guide ring * | PTFE | 0967182 | |
| 17 | 1 | Führungsstab / Guide rod | 1.4301 | 0921718 | |
| 18 | 1 | Führungsring / Guide ring * | PTFE | 0967307 | |
| 19 | 1 | Ventiltellerführung / Valve disc guide | PEEK | 0969451 | |
| 20 | 1 | Stützring / Thrust ring | POM | 0969469 | |

| | | |
|---|---|--|
| Dichtungssatz produktseitig best. aus: Compl. set of gaskets product side consist. of: | * | |
| Dichtungssatz antriebsseitig best. aus: Compl. set of gaskets actuator side consist. of: | * | |

Bestellbeispiel / Order example:

1 Profildichtung Pos. 30, Best.-Nr. 2106652 nach Liste E D620.08.01
1 Profile packing pos. 30, order no. 2106652 as per list E D620.08.01

* Vom Standard ($R_A \leq 1,6 \mu\text{m}$) abweichende Oberflächengüte bei Bestellung bitte angeben.

* When ordering please indicate surface finishes which do not correspond to our standard,
i.e. $R_A \leq 1,6 \mu\text{m}$

| Pos. | Stück Pie ce | Benennung / Denomination | Werkstoff Material | Best.-Nr. Order no. | Abmessung Dimension |
|------|--------------------|---|-----------------------|------------------------|--|
| 29 | 2 | Profildichtung / Profile packing * | NBR | 2106653 | |
| 30 | 2 | Profildichtung / Profile packing * | NBR | 2106652 | |
| 31 | 1 | O-Ring / O-ring * | NBR | 2100282 | Di 22 x 2 |
| 32 | 1 | O-Ring / O-ring * | NBR | 0116582 | Di 32 x 3 |
| 33 | 2 | O-Ring / O-ring * | NBR | 2106245 | Di 53 x 10 |
| 34 | 2 | O-Ring / O-ring * | NBR | 2100284 | Di 53,34 x 5,33 |
| 35 | 2 | O-Ring / O-ring # | NBR | 0116046 | Di 80 x 3 |
| 36 | 1 | O-Ring / O-ring * | NBR | 0016980 | Di 30 x 3 |
| 37 | 1 | O-Ring / O-ring * | EPDM | 0885038 | Di 12 x 3 |
| 38 | 2 | O-Ring / O-ring # | NBR | 0116814 | Di 18 x 3 |
| 39 | 1 | O-Ring / O-ring # | NBR | 0116723 | Di 22 x 3 |
| 40 | 2 | O-Ring / O-ring # | NBR | 0381350 | Di 32 x 2,5 |
| 41 | 1 | O-Ring / O-ring # | NBR | 0891846 | Di 35 x 3 |
| 42 | 1 | O-Ring / O-ring # | NBR | 0892059 | Di 72 x 3 |
| 43 | 1 | O-Ring / O-ring # | NBR | 0115915 | Di 100 x 3 |
| 44 | 2 | O-Ring / O-ring # | NBR | 0944280 | Di 110 x 5 |
| 45 | | O-Ring / O-ring * | NBR | 0721217 | Di 112 x 3 |
| 46 | 1 | Federring / Lock washer | A 2 | 0075184 | DIN 127 – B 12 |
| 47 | 1 | Gleitlager / Slide bearing # | IGLIDUR | 0944264 | GFM 3539-16 |
| 48 | 1 | Druckfeder / Compression spring | 1.4310 | 0528182 | D _A 40; D 4,5; L ₀ 76 |
| 49 | 1 | Druckfeder / Compression spring | 1.4310 | 00944272 | D _A 113; D 11,5; L ₀ 178 |
| 50 | 1 | Sicherungsring / Guard ring | Vernickelt / nickeled | 0953646 | DIN 472 – 120 x 4 |
| 51 | 1 | Sprengring / Snap ring | 1.4310 | 0966887 | D 127 x D 120 |
| 52 | 3 | Winkelschraubanschluß Angular screw-in-union | | 2116513 | G 1/8 |
| 53 | 5 | Kegelstopfen / Conical plug | LD – PE | 0074195 | GPN 500 |
| 54 | 4 | Zylinderschraube / Socket head screw | A 2-70 | 0785667 | DIN 912 – M 8 x 16 |
| 55 | 1 | Sechskantschraube / Hexagonal screw | A 2-70 | 0205021 | DIN 933 – M 10 x 40 |
| 56 | 1 | Dichtung / Sealing | PVDF | 0962332 | |
| 57 | 3 | Dichtung / Sealing | IT 200 | 0459792 | G 1/8 |
| 58 | 4 | Federring / Lock washer | A 2 | 0837807 | DIN 127 – B 8 |
| 59 | 2 | Gelenkklemme / Joint clamp | 1.4301 | 0036590 | 3½“ |