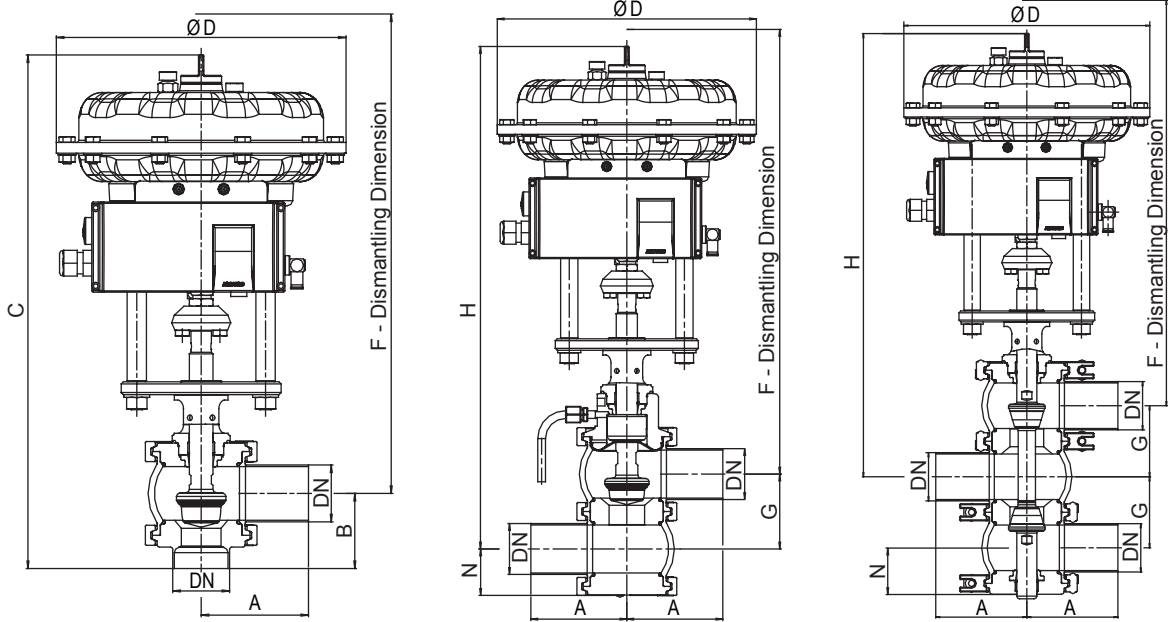


Valve Dimensions



S376 Diaphragm-Actuator

inches	OD-Tube	A	B	C ₁ *	C ₂ *	ØD	Hub Stroke ₁ *	Hub Stroke ₂ *	F ₁ *	F ₂ *	G	H ₁ *	H ₂ *	N
	1.0"	3 1/8	2 3/8	17 1/2	19	10 5/8	13/16	1/2	18 1/16	20 3/16	2	17 1/2	19	1 9/16
1.5"	3 1/8	2 3/8	17 15/16	19 3/4	10 5/8	13/16	1/2	19 5/16	20 3/4	2 1/2	18 1/4	19 3/4	1 11/16	
2.0"	3 15/16	2 3/4	18 5/8	20 1/16	10 5/8	13/16	5/8	20 1/16	21 1/16	3	19	20 1/2	1 15/16	
2.5"	3 15/16	3 1/8	19 13/16	21 5/16	10 5/8	1 3/16	13/16	22 1/16	23 1/2	3 1/2	20 9/16	22 3/8	2 1/4	
3.0"	4 3/4	3 9/16	20 7/8	22 1/2	10 5/8	1 3/16	15/16	23 1/4	24 7/8	3 15/16	21 11/16	23 3/8	2 1/2	
4.0"	5 7/8	3 15/16	21 3/4	23 3/8	10 5/8	1 3/16	1 3/16	24 5/8	26 7/16	4 15/16	23 1/8	25	2 15/16	

Note: Values in fractional inches have been rounded to the nearest 1/16 inch

millimeters	OD-Tube	A	B	C ₁ *	C ₂ *	ØD	Hub Stroke ₁ *	Hub Stroke ₂ *	F ₁ *	F ₂ *	G	H ₁ *	H ₂ *	N
	1.0"	80	50	445	482	270	20	12	475	512	50.1	445	482	34
1.5"	80	55	456	502	270	20	12	490	527	62.8	464	501	40.4	
2.0"	100	65	473	510	270	20	16	510	547	75.5	483	520	46.8	
2.5"	100	70	504	541	270	30	20	560	597	88.2	522	568	53.1	
3.0"	120	80	530	572	270	30	24	590	632	100.8	551	593	59.4	
4.0"	150	90	552	594	270	30	30	625	672	125.4	588	635	71.7	

*C₁/E₁/F₁/H₁/Hub/Stroke₁: Hygienic execution

*C₂/E₂/F₂/H₂/Hub/Stroke₂: Aseptic execution

Südmo North America, Inc.

1330 Anvil Drive, Rockford, IL 61115 USA

T 815.639.0322 • F 815.639.1135

E info@sudmona.com • I www.sudmona.com

Südmo North America, Inc. reserves the right to make changes in the technical specifications at any time.

5131-0901

Select Regulating Valves

Norit
leading in purification

Südmo