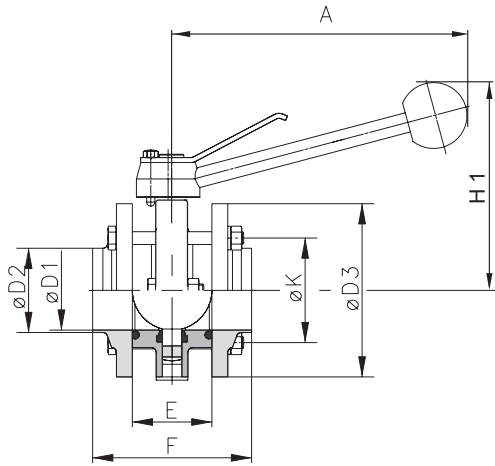
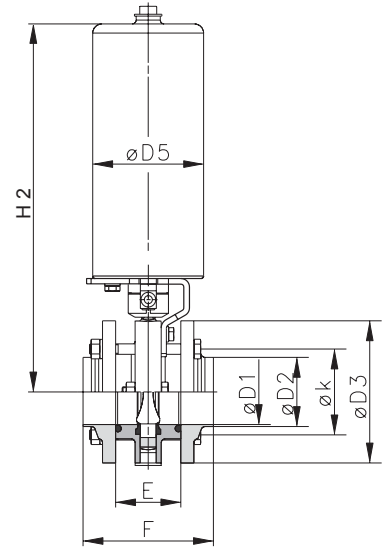


Valve Dimensions



**Small Flanges - Manual
K 587**



**Small Flanges - Pneumatic
K 667 / K 687**

	OD-Tube	ØD1	ØD2	ØD3	ØD5	A	H ₁	H ₂	E	F	Øk	lbs
inches	1.0"	7/8	1	3 5/16	3 7/16	5 7/8	4 1/16	11 1/8	1 15/16	3 15/16	2 5/8	5.3/13.2
	1.5"	1 3/8	1 1/2	3 3/4	3 7/16	5 7/8	4 5/16	11 3/8	1 15/16	3 15/16	3 1/8	6.4/14.1
	2.0"	1 7/8	2	4 5/16	3 7/16	6 15/16	4 15/16	11 5/8	1 15/16	3 15/16	3 1/4	7.7/15.4
	2.5"	2 3/8	2 1/2	4 15/16	3 7/16	6 15/16	5 5/16	11 15/16	1 15/16	3 15/16	4 5/16	9.3/17.2
	3.0"	2 7/8	3	5 9/16	3 7/16	6 15/16	5 9/16	12 5/16	1 15/16	3 15/16	4 15/16	10.8/18.7
	4.0"	3 13/16	4	6 5/16	3 7/16	6 15/16	6	12 1/16	1 15/16	3 15/16	5 1/16	13.2/21.2

Note: Values in fractional inches have been rounded to the nearest 1/16 inch

	OD-Tube	ØD1	ØD2	ØD3	ØD5	A	H ₁	H ₂	E	F	Øk	kg
millimeters	1.0"	22.1	25.4	84	88	150	103	281	50	100	67	2.4/6.0
	1.5"	34.8	38.1	96	88	150	109	288	50	100	80	2.9/6.4
	2.0"	47.5	50.8	109	88	177	126	296	50	100	93	3.5/7.0
	2.5"	60.2	63.5	126	88	177	135	303	50	100	110	4.2/7.8
	3.0"	72.9	76.2	141 ⁶	88	177	142	312	85	100	125	4.9/8.5
	4.0"	97.4	101.6	161	88	177	152	324	85	100	145	6.0/9.6

Südmo North America, Inc.

1330 Anvil Drive, Rockford, IL 61115 USA

T 815.639.0322 • F 815.639.1135

E info@sudmona.com • I www.sudmona.com

Südmo North America, Inc. reserves the right to make changes in the technical specifications at any time.

4151-0901

Butterfly Valves

Norit
leading in purification

Südmo