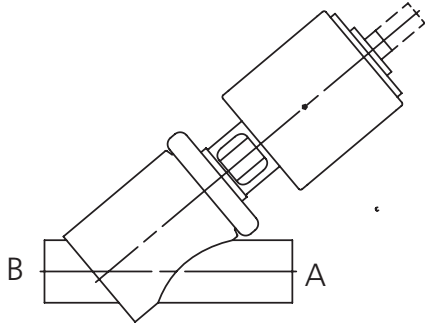
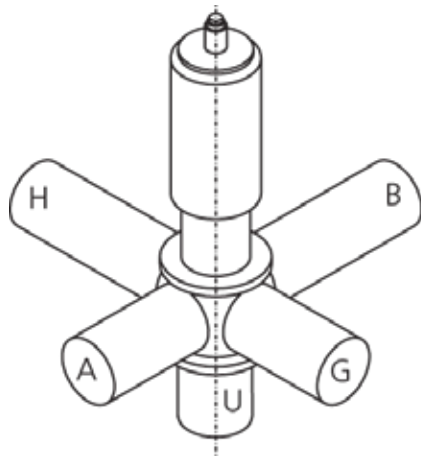


CV Values



S380

Size	Direction of flow	CV Value
1.0"	A -> B	27
1.5"	A -> B	44
2.0"	A -> B	72
2.5"	A -> B	116
3.0"	A -> B	172
4.0"	A -> B	254



S385 - S386 - S387

Size	Direction of flow	CV Value
1.0"	A -> B (Valve Closed)	25
	U -> A	15
	A -> U	18
1.5"	A -> B (Valve Closed)	56
	U -> A	52
	A -> U	54
2.0"	A -> B (Valve Closed)	140
	U -> A	94
	A -> U	92
2.5"	A -> B (Valve Closed)	220
	U -> A	155
	A -> U	154
3.0"	A -> B (Valve Closed)	312
	U -> A	158
	A -> U	166
4.0"	A -> B (Valve Closed)	511
	U -> A	326
	A -> U	336

Südmo North America, Inc.

1330 Anvil Drive, Rockford, IL 61115 USA

T 815.639.0322 • F 815.639.1135

E info@sudmona.com • I www.sudmona.com

Südmo North America, Inc. reserves the right to make changes in the technical specifications at any time.

Revision Date: May 2008

SVP Select Valves