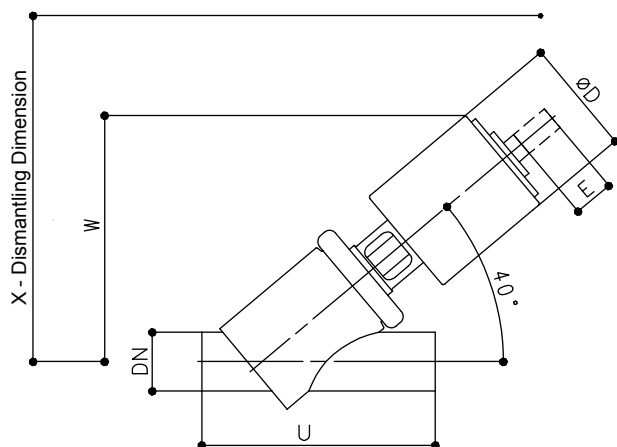
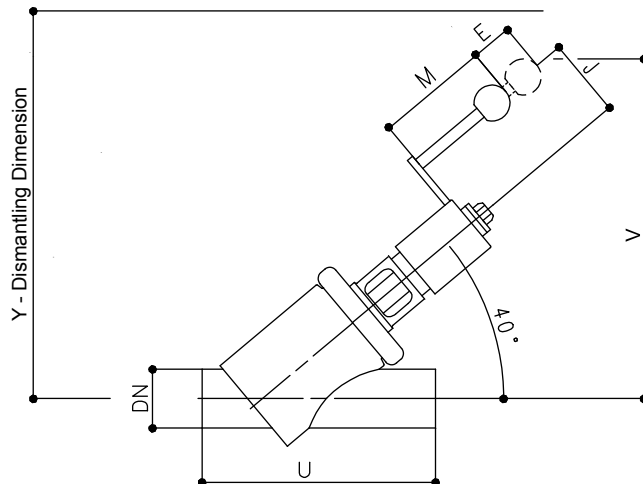


Technical Specifications

SVP Select Angular Seat Valve



**Angular Seat Valve
Pneumatic Select 380**



**Angular Seat Valve
Manual Select 280**

inches	OD-Tube	ØD	E ₁ *	E ₂ *	J	M	U	V ₁ *	V ₂ *	W ₁ *	W ₂ *	X ₁ *	X ₂ *	Y ₁ *	Y ₂ *
	1.0"	4 1/8	4 1/8	1 3/16	1/2	2 3/4	3 15/16	6 5/16	11 5/16	12 1/2	8 1/4	9 7/16	10 1/4	11 3/8	13 3/16
1.5"	4 1/8	4 1/8	1 3/16	1/2	2 3/4	3 15/16	7 5/16	11 9/16	12 11/16	8 9/16	9 11/16	10 13/16	11 15/16	13 3/4	14 15/16
2.0"	4 1/8	4 1/8	1	5/8	2 3/4	3 15/16	8 1/4	11 3/4	12 7/8	8 3/4	9 7/8	11 7/16	12 9/16	14 3/8	15 1/2
2.5"	5 1/16	5 1/16	1 3/16	7/8	3 15/16	3 15/16	9 13/16	14 1/2	15 11/16	10 7/8	12 1/16	13 3/4	14 15/16	17 1/8	18 1/4
3.0"	6 1/16	6 1/16	1 1/16	15/16	3 15/16	3 15/16	11 13/16	15 1/8	16 3/8	13 7/16	14 11/16	16 3/4	18	18 5/16	19 9/16
4.0" ³	6 1/16	6 1/16	1 1/16	1 1/4	3 15/16	3 15/16	13	15 5/8	17 1/16	14 1/8	15 1/2	18 5/16	19 3/4	19 7/8	21 5/16

Note: Values in fractional inches have been rounded to the nearest 1/16 inch

millimeters	OD-Tube	ØD	E ₁ *	E ₂ *	J	M	U	V ₁ *	V ₂ *	W ₁ *	W ₂ *	X ₁ *	X ₂ *	Y ₁ *	Y ₂ *
	1.0"	104	104	20	12	70	100	160	288	317	210	239	260	289	335
1.5"	104	104	20	12	70	100	185	293	322	217	246	275	304	350	379
2.0"	104	104	25	16	70	100	210	298	327	222	251	290	319	365	394
2.5"	129	129	30	22	100	100	250	369	398	277	306	350	379	435	464
3.0"	154	154	40	24	100	100	300	384	416	341	373	425	457	465	497
4.0" ³	154	154	40	31	100	100	330	397	433	358	394	465	501	505	541

*1 E₁/V₁/W₁/X₁/Y₁: Hygienic execution

*2 E₂/V₂/W₂/X₂/Y₂: Aseptic execution

3 Pneumatic valves spring to open - air to close (87 psi control pressure) standard with booster size II (dimensions see booster)

Südmo North America Inc.

1330 Anvil Drive, Rockford, IL 61115 USA

T 815.639.0322 • F 815.639.1135

E info@sudmona.com • I www.sudmona.com

Südmo North America Inc. reserves the right to make changes in the technical specifications at any time.

2221-0901

SVP Select Angular Seat

Norit
leading in purification

Südmo