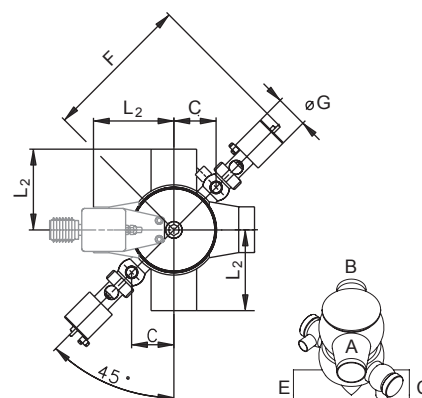
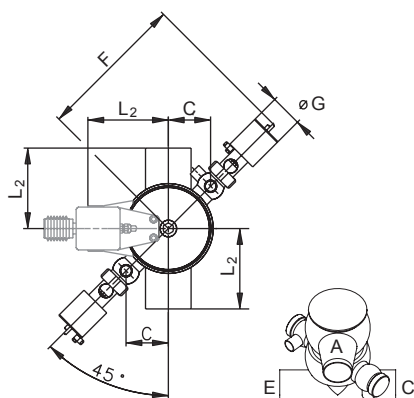
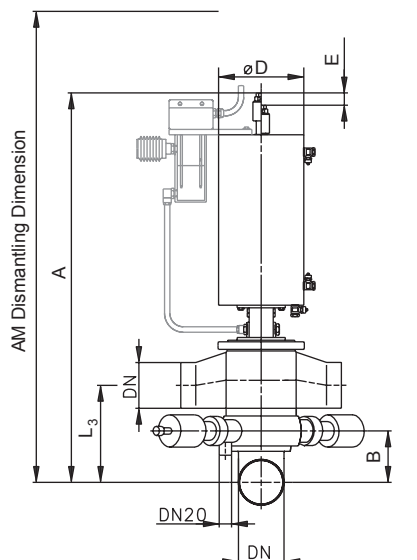
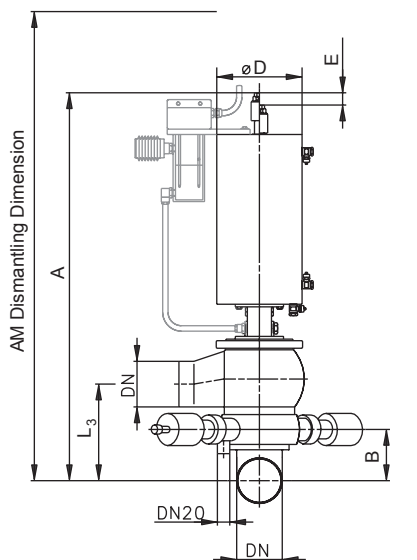


# Technical Specifications



**A 802 M**

**A 804 M**

inches	OD-Tube	A	B	C	ØD	E	F	ØG	L <sub>2</sub>	L <sub>3</sub>	AM	lbs
	2.0"	22 1/16	2 15/16	2 3/16	4 1/4	1 1/16	10 1/4	2 9/16	4 3/4	5 1/2	28 3/8	46.3
2.5"	25 13/16	3 7/16	2 3/8	5 1/4	1 3/16	10 9/16	2 9/16	4 3/4	6 3/16	32 11/16	59.5	
3.0"	28 9/16	3 3/4	3 1/8	6 1/4	7/8	11	2 9/16	6 11/16	6 13/16	36 1/4	83.8	
4.0"	31 1/8	4 1/16	4 7/16	8 1/4	1 1/8	11 7/16	2 9/16	6 7/8	8 1/4	40 3/16	180.8	

**Note:** Values in fractional inches have been rounded to the nearest 1/16 inch

millimeters	OD-Tube	A	B	C	ØD	E	F	ØG	L <sub>2</sub>	L <sub>3</sub>	AM	lbs
	2.0"	560	75	56	108	18	260	64.5	120	139	720	46.3
2.5"	655	87	61	133	20	268	64.5	120	157	830	59.5	
3.0"	725	95	79	159	23	279.5	64.5	170	172.5	920	83.8	
4.0"	790	103	113	210	29	290	64.5	175	210	1020	180.8	

**Südmo North America Inc.**

1330 Anvil Drive, Rockford, IL 61115 USA

T 815.639.0322 • F 815.639.1135

E info@sudmona.com • I www.sudmona.com

Südmo North America Inc. reserves the right to make changes in the technical specifications at any time.

3211-0901

## Aseptic Process Valve