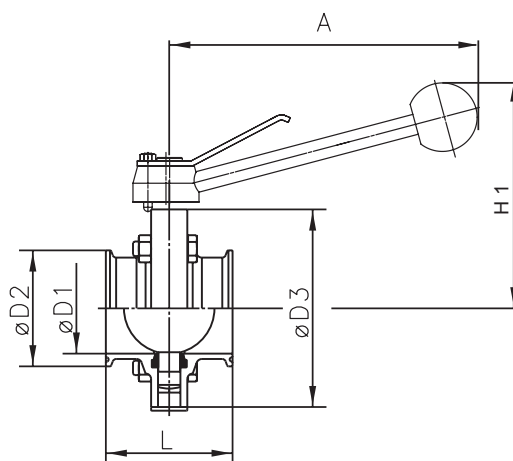
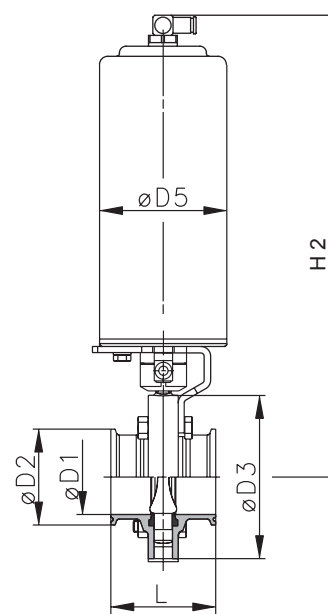


Valve Dimensions



Tri-Clamp - Manual
K 588



Tri-Clamp - Pneumatic
K 668 / K688

inches	OD-Tube	ØD1	ØD2	ØD3	ØD5	A	H ₁	H ₂	L	lbs
	1.0"	1.0"	7/8	2	3 5/16	3 7/16	5 7/8	4 1/16	11 1/8	2 3/4
1.5"	1.5"	1 3/8	2	3 3/4	3 7/16	5 7/8	4 5/16	11 3/8	2 3/4	3.7/11.5
2.0"	2.0"	1 7/8	2 1/2	4 5/16	3 7/16	6 15/16	4 15/16	11 5/8	2 3/4	4.4/12.1
2.5"	2.5"	2 3/8	3 1/16	4 15/16	3 7/16	6 15/16	5 5/16	11 15/16	2 15/16	5.7/13.7
3.0"	3.0"	2 7/8	3 9/16	5 9/16	3 7/16	6 15/16	5 9/16	12 5/16	3 3/8	6.8/14.6
4.0"	4.0"	3 13/16	4 11/16	6 5/16	3 7/16	6 15/16	6	12 11/16	3 3/8	8.2/16.1

Note: Values in fractional inches have been rounded to the nearest 1/16 inch

millimeters	OD-Tube	ØD1	ØD2	ØD3	ØD5	A	H ₁	H ₂	L	kg
	1.0"	22.1	50.5	84	88	150	103	283	70	1.5/5.1
1.5"	34.8	50.5	96	88	150	109	289	70	1.7/5.2	
2.0"	47.5	64.0	109	88	177	126	296	70	2.0/5.5	
2.5"	60.2	77.5	126	88	177	135	304	74	2.6/6.2	
3.0"	72.9	91.0	141 ⁶	88	177	142	312	85	3.1/6.6	
4.0"	97.4	119.0	161	88	177	152	323	85	3.7/7.3	

Südmo North America, Inc.

1330 Anvil Drive, Rockford, IL 61115 USA

T 815.639.0322 • F 815.639.1135

E info@sudmona.com • I www.sudmona.com

Südmo North America, Inc. reserves the right to make changes in the technical specifications at any time.

5588-0901

Butterfly Valves Tri-Clamp