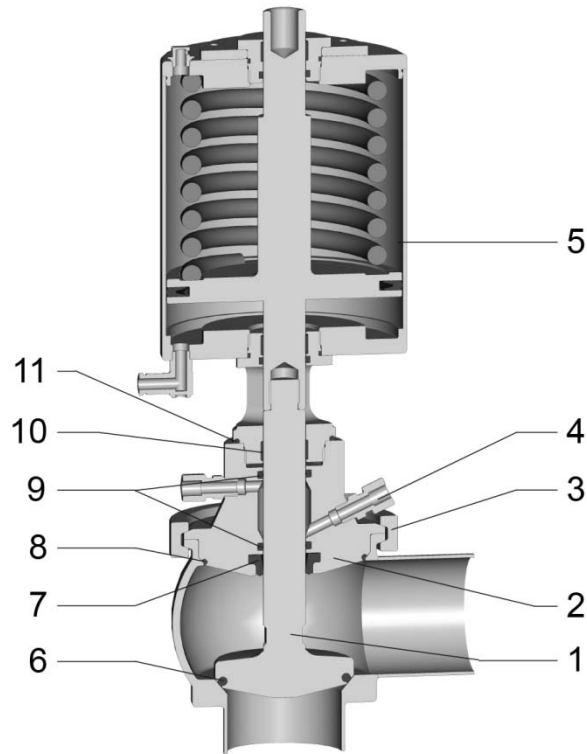


List of spare parts

SVP-right angle valve DN 65 / DN 2,5"
pneum. operated – with steam barrier
Profile gasket – O-ring

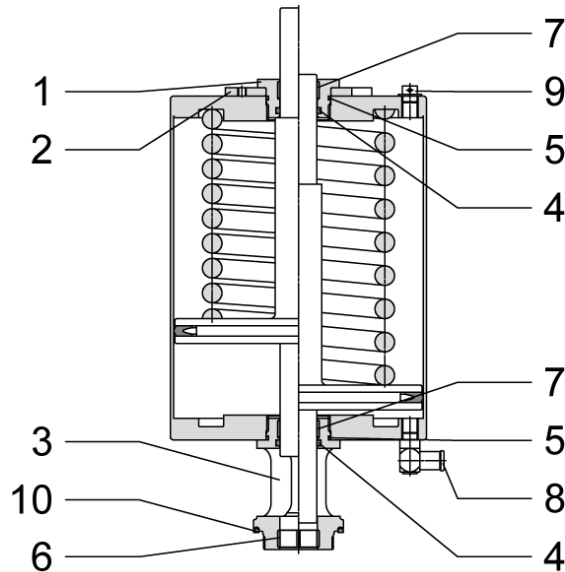


Pos.	Pcs.	Denomination	Material	Order no.
1	1	Valve disk	1.4404	2128420
2	1	Support	1.4404	2163104
3	1	Clamp	1.4301	0036590
4	2	Ermeto-union	1.4571	0025627
5	1	Pneum. actuator air to open – spring to close		2131737
6		O-ring *	EPDM	2912892
7	1	Profile gasket *	EPDM	2103016
8	1	O-ring *	EPDM	0690719
9	2	Quad-ring *	EPDM	2130182
10	1	Slide bearing *	PEEK	2131741
11	1	O-ring *	EPDM	0962118
	1	Compl. set of gaskets consist. of: *	EPDM	2163105

Änderung	Datum	Name	Änderung	Datum	Name	Änderung	Datum	Name	Änderung	Datum	Name

List of spare parts

SVP-right angle valve DN 65 / DN 2,5"
pneum. operated – with steam barrier
Profile gasket – O-ring



Pos.	Pcs.	Denomination	Material	Order no.
	1	Pneum. actuator		2131737
1	1	Fixing screw	1.4305	2131739
2	1	Adapter disc	1.4301	2128219
3	1	Snaphead support	1.4301	2131734
4	1	O-ring *	NBR	0116723
5	1	O-ring *	NBR	2128764
6	1	Slide bearing *	PEEK	213741
7	1	Slide bearing *	Iglidur	2131740
8	1	Angular screw-in-union		2116513
9	1	Threaded plug		2128550
10	1	O-ring *	EPDM	0962118
	1	Compl. set of gaskets consist. of: *		2132039

Änderung	Datum	Name	Änderung	Datum	Name	Änderung	Datum	Name	Änderung	Datum	Name