

PMO Tank Outlet Mix Proof Valve



Südmo introduces a PMO Tank Outlet Mix Proof Valve that was specifically designed for use in the dairy industry. This revolutionary new valve eliminates the need for disconnects on the tank outlet and gives the processor the ability to clean the fill/empty line with product in the tank.

Südmo's PMO mix proof valves offer many proven advantages including leak free changeover, a one-piece machined body, maintenance-free actuator, and the latest control technology. In addition, there are no special tools required for replacing seals.

Südmo's PMO mix proof valves meet the PMO requirements, carry the 3A symbol, and have passed the EHEDG test procedure for cleaning in-place.

Benefits:

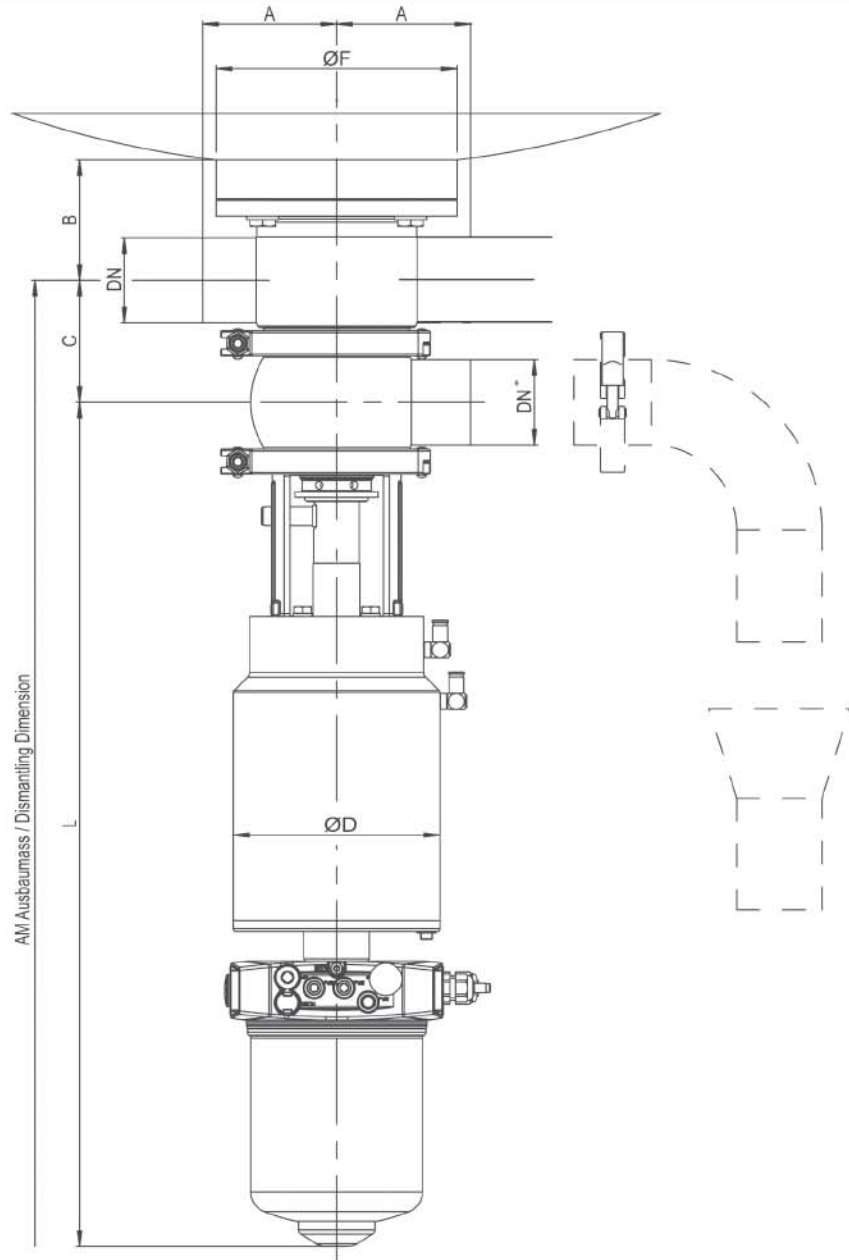
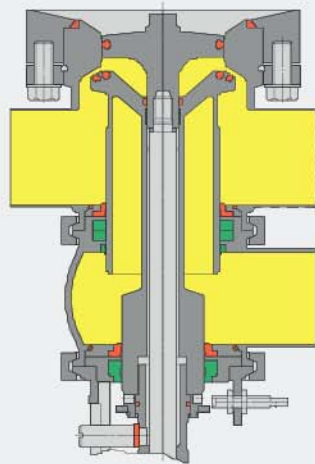
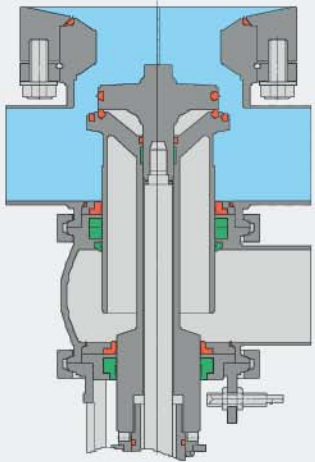
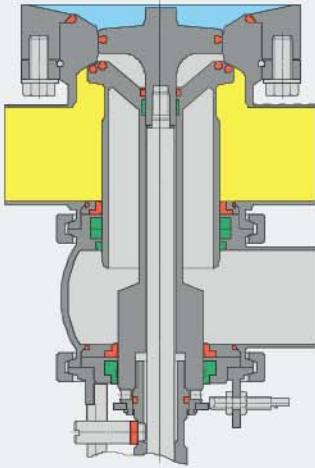
- Ability to clean fill / empty line with product in the tank
- Eliminates disconnects
- Compact design
- Tangential design means valve can be mounted in the vertical or horizontal position
- Fully drainable
- Can be fitted to existing tanks with low inlet/outlet connections
- Safer plant operation
- Increases plant efficiencies

Features:

- Leak free design—no lost product
- One-piece machined valve body
- 5-year warranty on actuator
- Pocket free design makes it easy to clean
- Leakage opening equal to 100% of product piping according to PMO regulations

Südmo Components

PMO Tank Outlet Mix Proof Valve



AM Ausbaumass / Dismantling Dimension

OD-Tube								
Size	A	B	C	ØD	ØF	L	Lift	AM
2.5"	3.9	3.8	3.6	6.1	7.1	24.8	1.4	39.4
3.0"	4.7	4.3	4.1	7.4	8.2	25.6	1.6	42.1

Other sizes available upon request

(Dimensions in Inches)

Sudmo North America
 T 815.639.0322
 F 815.639.1135
 E info@sudmona.com
 I www.sudmona.com

Sudmo Components