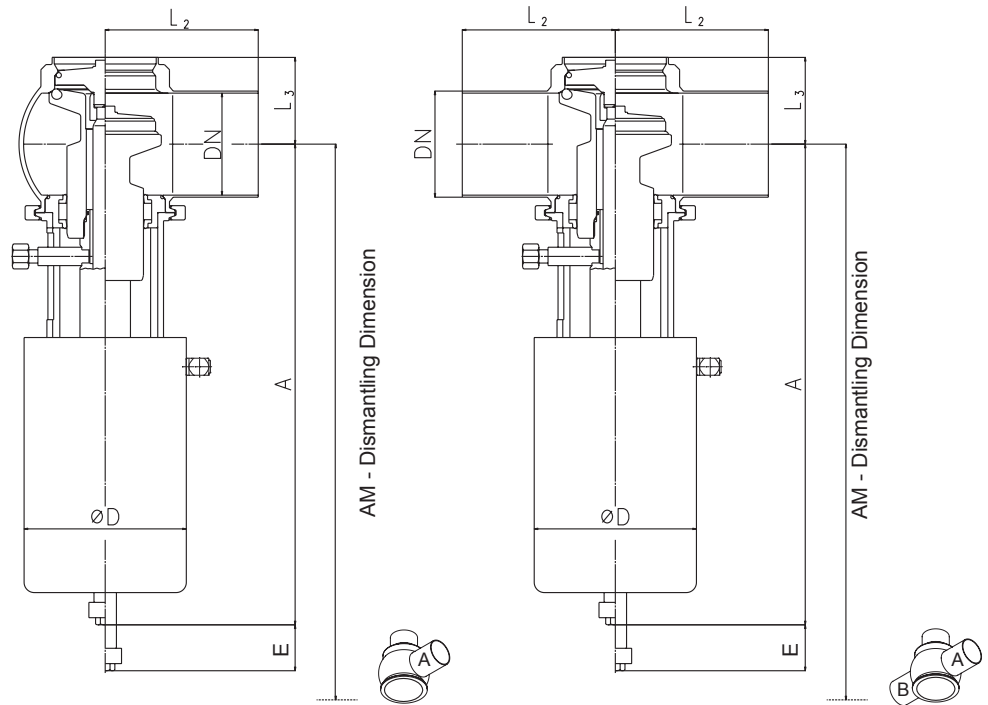


Valve Dimensions

Mix Proof Valves for CIP areas



D 660

D 661

	OD-Tube	A	ØD	E	L ₂	L ₃	AM
inches	1.5" ¹	11 13/16	4 3/16	1 13/16	3 1/8	2 3/16	19 1/16
	2.0" ¹	13 5/8	5	1 3/8	3 15/16	2 3/8	21 5/8
	2.5" ¹	17 1/16	5	1 3/8	3 15/16	2 9/16	24 13/16
	3.0" ¹	17 3/8	5	1 3/8	4 3/4	2 3/4	29 1/2
	4.0" ¹	18 9/16	6 1/4	1 3/4	5 7/8	3 3/8	32 1/16

Note: Values in fractional inches have been rounded to the nearest 1/16 inch

	OD-Tube	A	ØD	E	L ₂	L ₃	L ₄
millimeters	1.5" ¹	300	107	20	80	55	500
	2.0" ¹	346	127	30	100	60	550
	2.5" ¹	434	127	35	100	65	630
	3.0" ¹	442	127	35	120	70	750
	4.0" ¹	471	159	45	150	85	830

¹Operating Pressure 72.5 psi max

Leak-free switching
Liftable seats

Südmo North America, Inc. reserves the right to make changes in the technical specifications at any time.

Südmo North America, Inc.

1330 Anvil Drive, Rockford, IL 61115 USA

T 815.639.0322 • F 815.639.1135

E info@sudmona.com • I www.sudmona.com

D650 Mix Proof Valves